

Plastic Hinge with Clamping Lever

For surface elements and aluminium profiles; can be locked at any point.

Material: Hinge & clamping lever: Plastic (PA), fibreglass-reinforced

Mechanism: Galvanised steel (RoHS-compliant)

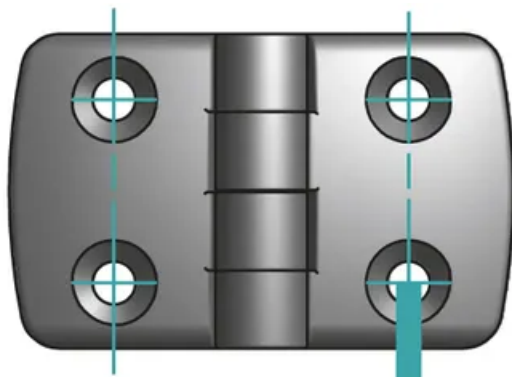
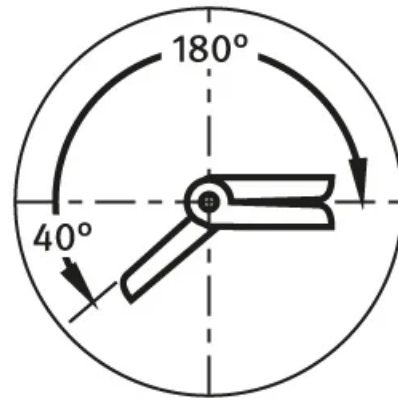
Colour: Hinge: black powder coated

On-site mount: by M6 countersunk screw at the front

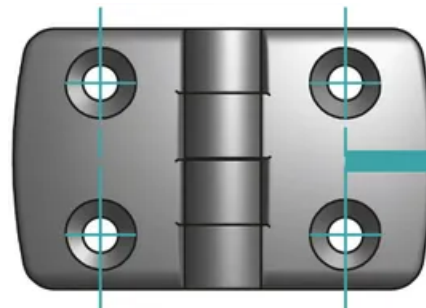
System: 30 - Slot 6

Type: Hinges



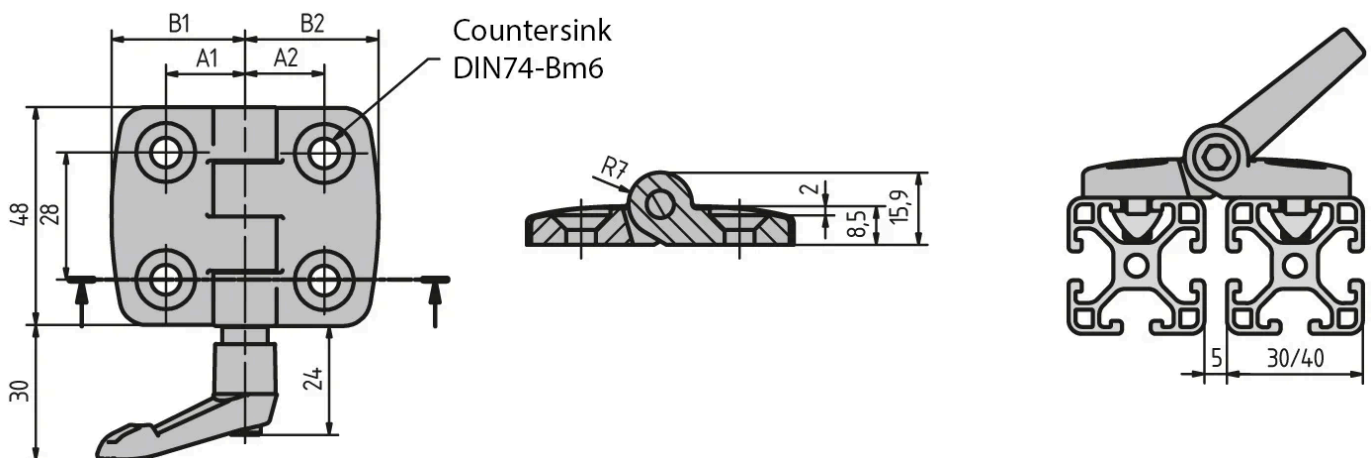


axial: F_{Amax}



radial:
 F_{Rmax}

General Data



Designation	Description	System	F_{Amax} (N)	F_{Rmax} (N)	A1/A2
PZ5026	Hinge 30 × 30	30 - Slot 6	400	700	17.5/17.5

Designation	B1/B2
PZ5026	29.5/29.5