

Joint 30

Joint with adjustable friction. Creates an articulated link between two profiles or surface elements; use the screw to infinitely vary the joint's friction resistance or to fasten the joint at a defined position.

Note: On-site mount.

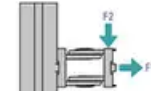
System: 30 - Slot 6

Type: Joints



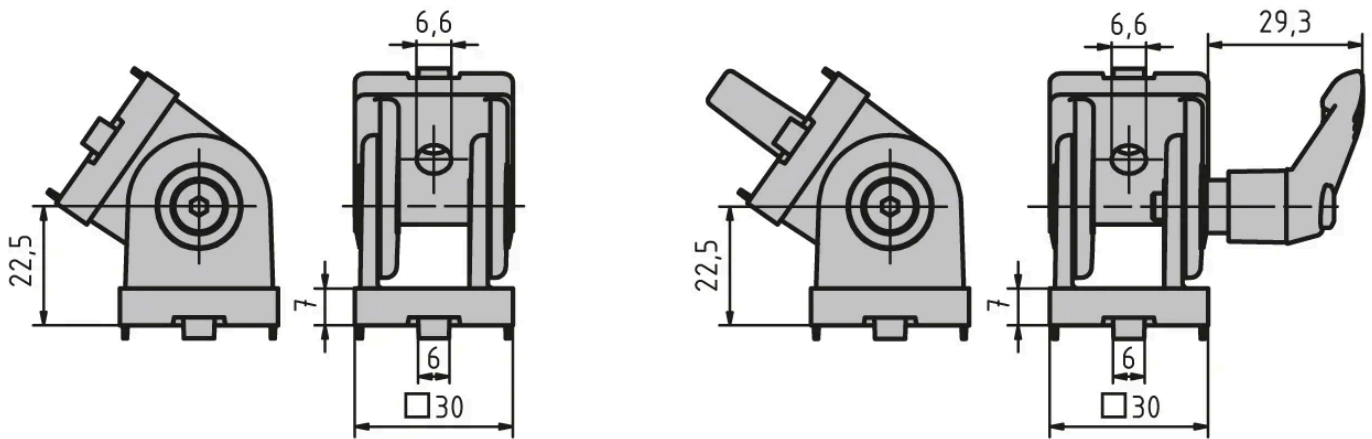


Joint loads



Type	F1 (N)	F2 (N)
Joint 20	500	200
Joint 30	6000	500

General Data



Designation	Description	System	Material
PZ3200	Joint 30	30 - Slot 6	Aluminium coloured die-cast zinc
PZ3205	Joint 30 with clamping lever	30 - Slot 6	Aluminium coloured die-cast zinc