

## Plate Gasket

Holds and seals surface elements in the slot.

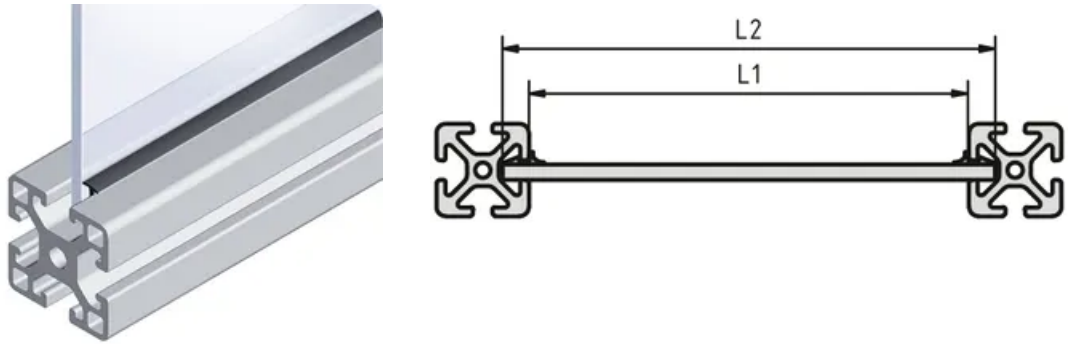
(Delivered on coil – sold by metres)

Material: Plastic (TPE)

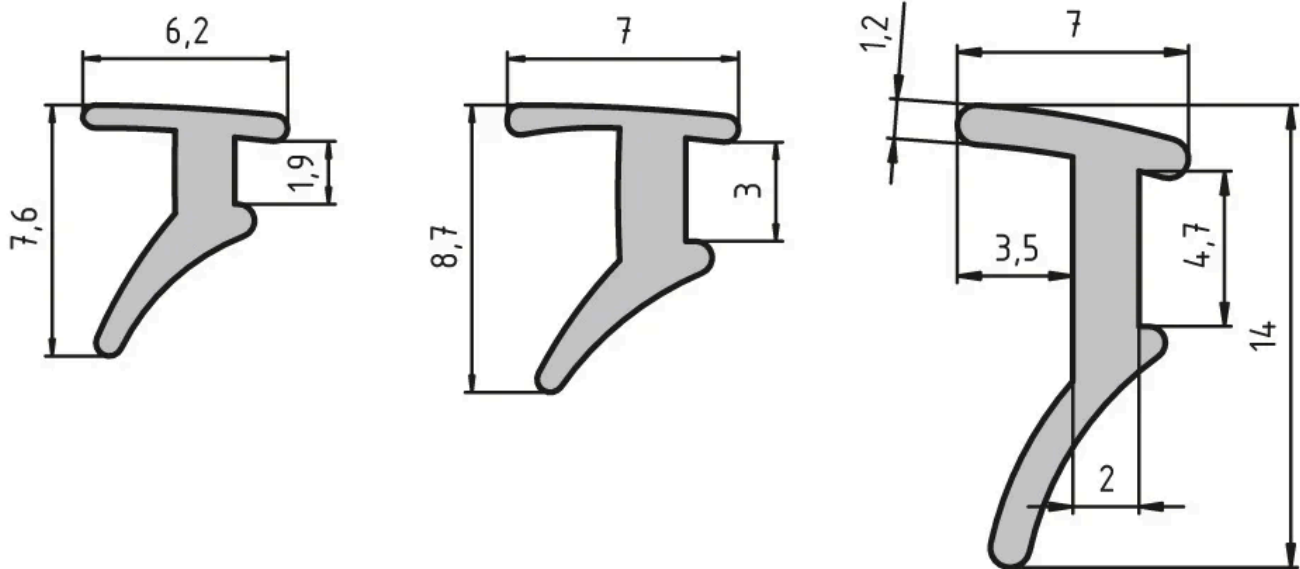
**System:** 30 - Slot 6; 20 - Slot 5

**Type:** Sealing, Coverstrips & Rubbers





## General Data



Designation	Description	System	L2	Plate Thickness
PZ4150	Sealing strip, black	20 - Slot 5	L1+10	2-3
PZ3240	Sealing strip, black	30 - Slot 6	L1+15	2-4