

Earthing Strap

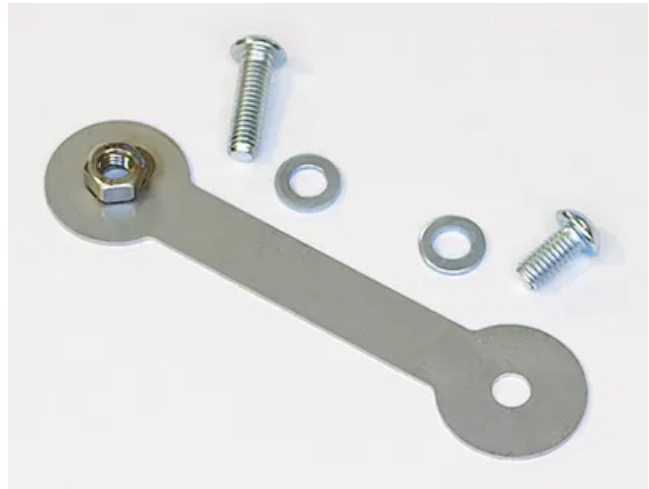
Creates a conductive link between surface elements and brace profiles.

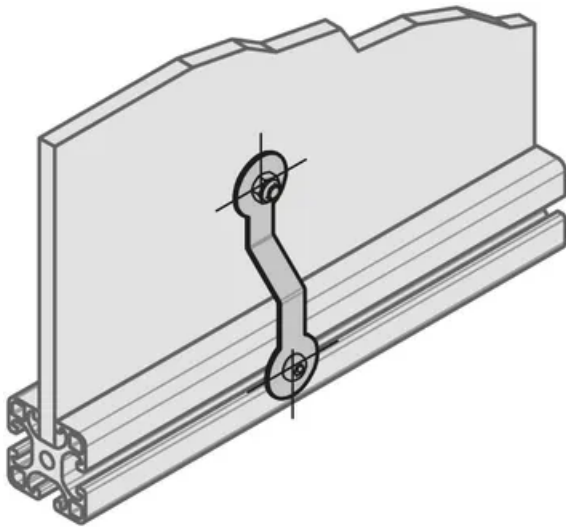
Material: Stainless strip steel

Package includes: 1× M6 × 20 fillister head screw (DIN7380), galvanised, 1× M6 × 12 fillister head screw (DIN7380), galvanised

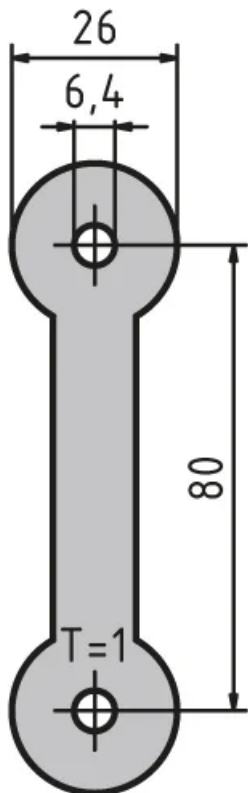
System: 40 - Slot 8; 30 - Slot 6; 20 - Slot 5

Type: Fixing Blocks/Fastening Elements





General Data



Designation	Description
RA5070	Earthing strap with welded-on nut