

## Compact Door Lock

Easily and reliably locks doors and flaps.  
Installs without drilling or other mechanical means.  
Secured against disassembly when closed.

Material: Die-cast aluminium

Surface: Black powder coated

Extras: Upon request, the door locks are available with aluminium coloured powder coat.

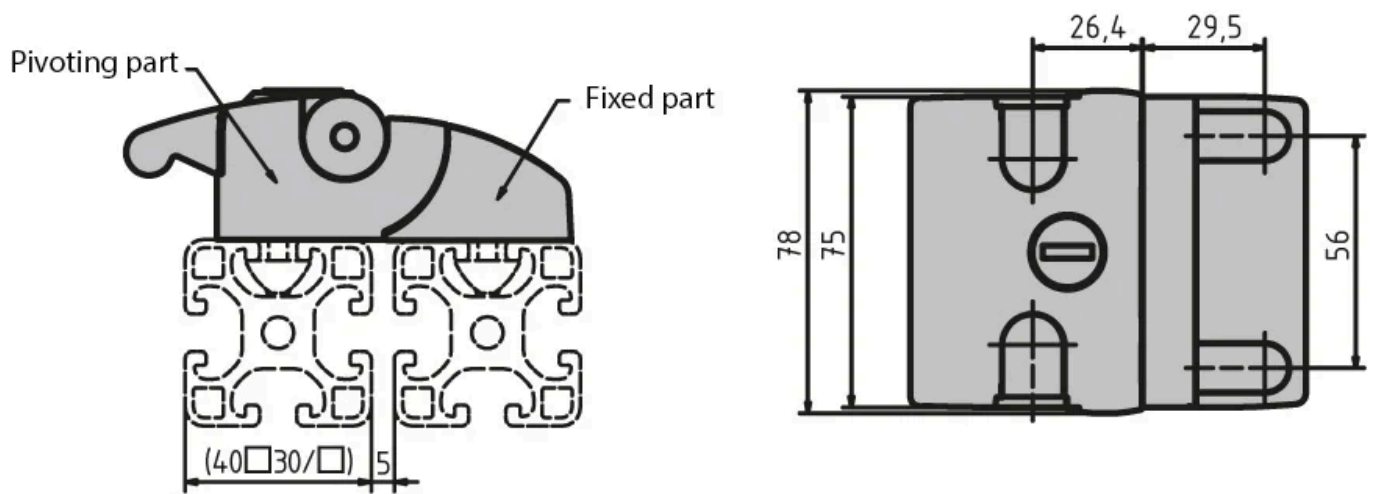
**System:** 30 - Slot 6; 40 - Slot 8

**Type:** Door Latches & Interlocks





## General Data



Designation	Description
RA1633	Keyed alike compact door lock
RA5040	Individually keyed compact door lock