

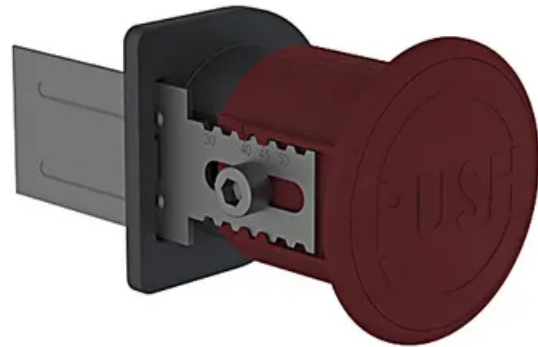
## Emergency Door Lock Opener

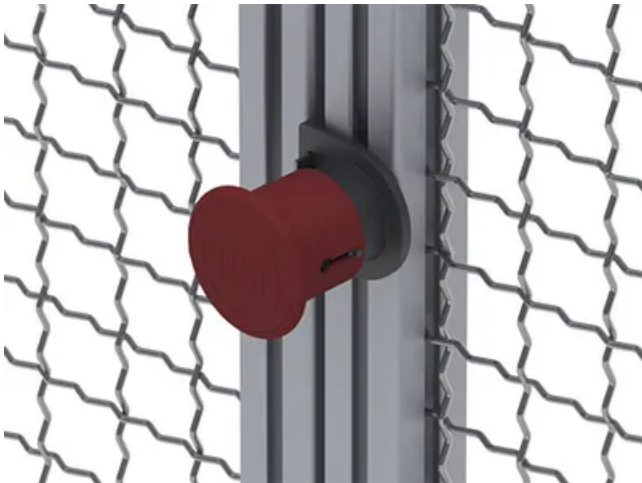
Emergency release at the back of the Compact Catch Lock. Matches profiles 30,40.

Material: Base body and push-button: Plastic (PA6),  
fibreglass-reinforced  
Unlocking bar: Steel

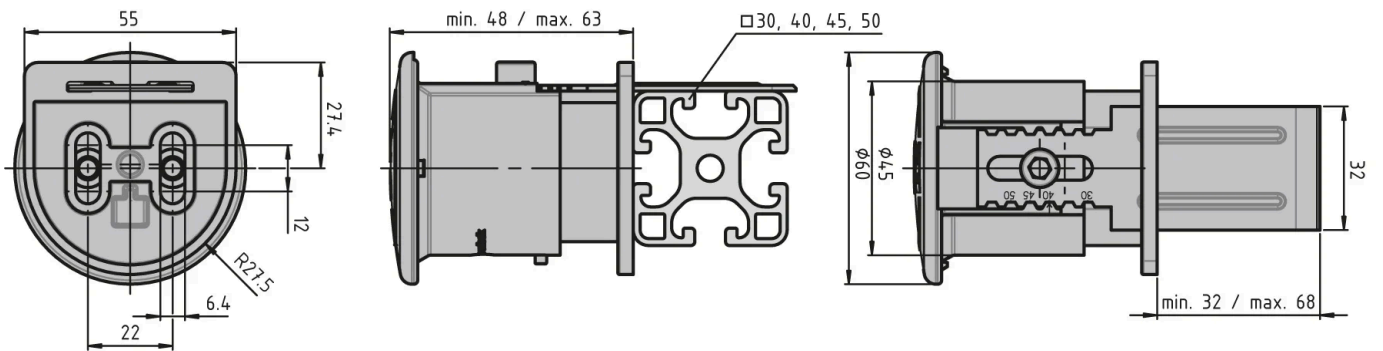
Colour: Base body: Black  
Push-button: Red  
Mount: By two M6 × 20 cheese head screws (DIN 912) at  
the front

**System:** 40 - Slot 8; 30 - Slot 6  
**Type:** Door Latches & Interlocks





## General Data



Designation	Description	Weight (g)
RA5050	Emergency catch lock opener	110.8