

Ball Catch Mounting Bracket

Lets you install the ball catch at any point.

Mounting instruction: ESD-ready only if using notched slot nuts.

Material: Galvanised steel

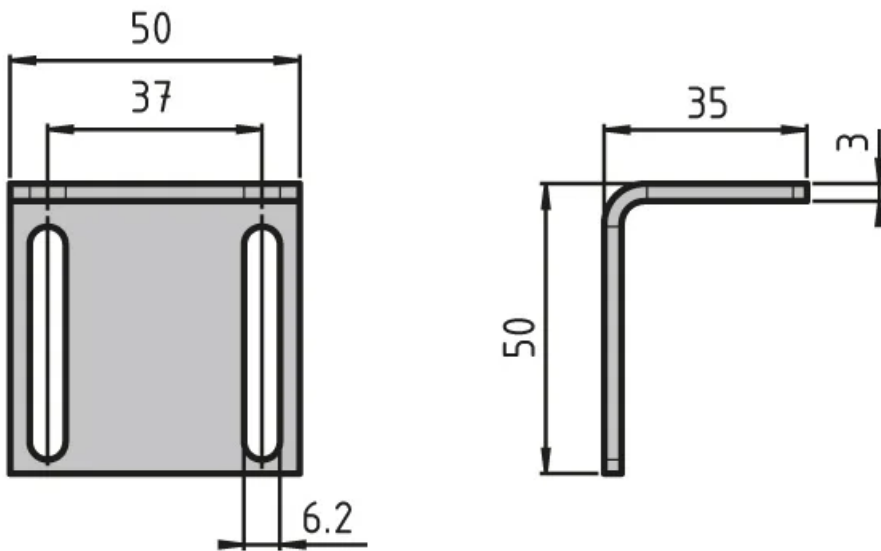
System: 40 - Slot 8; 30 - Slot 6; 20 - Slot 5

Type: Door Latches & Interlocks





General Data



Designation	Description
RA5056	Ball catch mounting bracket