

## Magnetic Catch

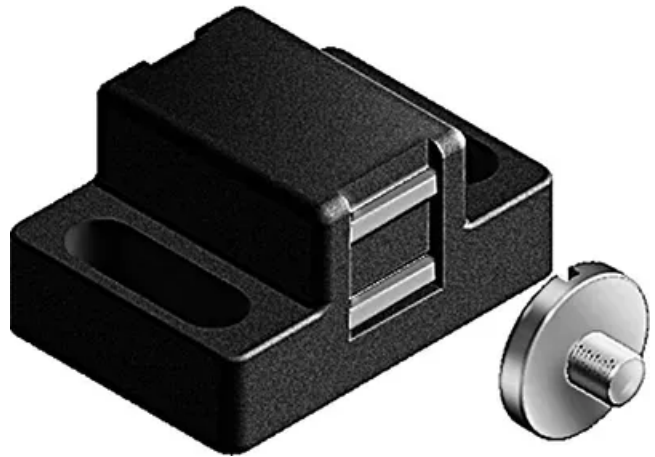
Easy closing of sliding and swing doors.  
Adapts to the thickness of surface elements.

Mount Slot 5: by M4 × 5 screw (DIN921), galvanised steel  
Mount Slot 8: by M5 × 6 screw (DIN921), galvanised steel

**Material:** Black plastic (PA), fibreglass-reinforced

**System:** 40 - Slot 8; 30 - Slot 6; 20 - Slot 5

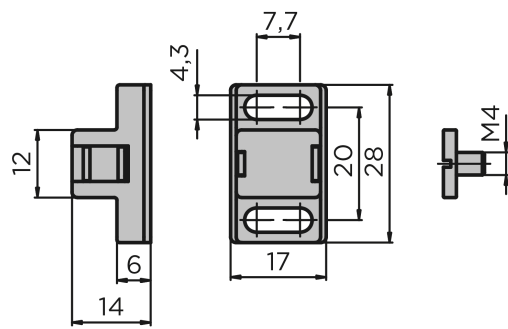
**Type:** Door Latches & Interlocks



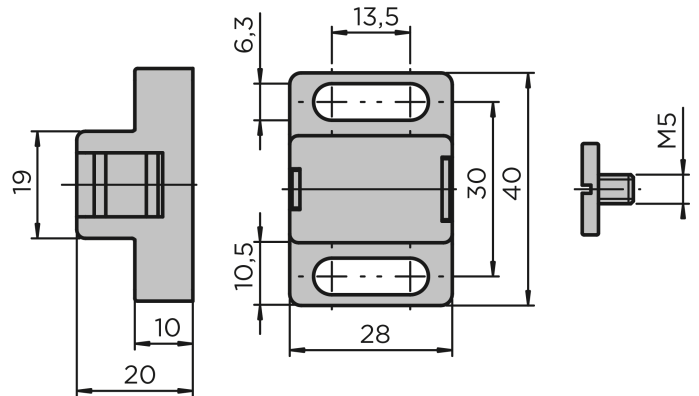


**General Data**

**Slot 5**



**Slot 8**



Designation	Description	System	Locking force (N)
<b>RA5057</b>	Magnetic catch	20 - Slot 5	Approx. 5 (front) / 3 (back)
<b>RA1610</b>	Magnetic catch	40 - Slot 8	Approx. 20 (front) / 10 (back)