

## Door Latch

Low-profile door latch for use in the gap of swing doors. Its low height allows you to narrow down the door gap to 12 mm. The door latch snaps onto the head of a M6 cheese head screw (DIN912) which screws into a slot nut and, together with the slot nut, into the bottom of the opposite slot.

Match slots 6.

Material: Door latch; Die-cast zinc

Cover plate: Black plastic (PA)

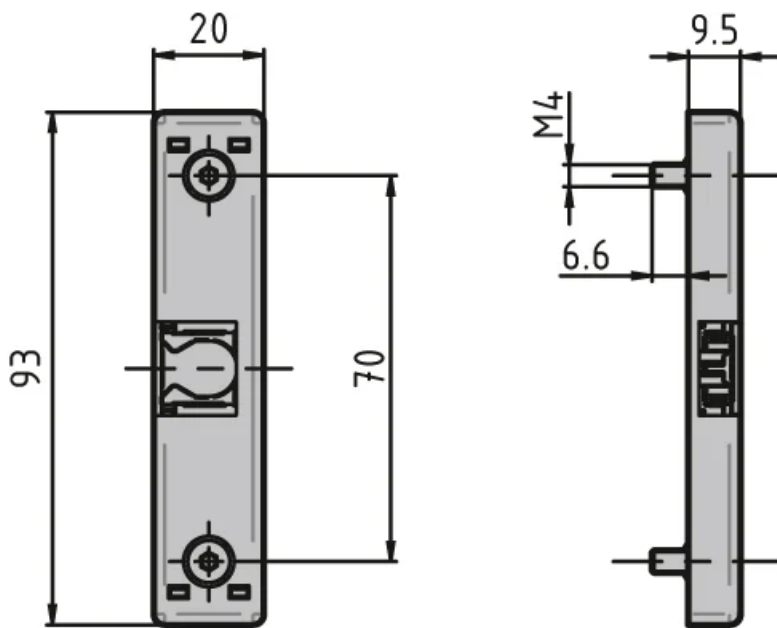
**System:** 30 - Slot 6; 40 - Slot 8

**Type:** Door Latches & Interlocks





**General Data**



Designation	Description
RA5059	Door latch and cover plate