

## Clamping Spring 8

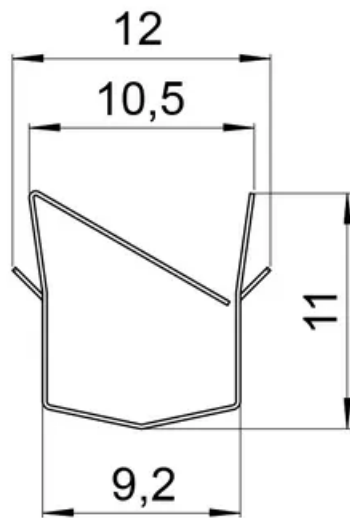
To fix panels 2 - 9 mm in the profile slot

**Material:** Stainless steel SS303

**System:** 40 - Slot 8

**Type:** Sealing, Coverstrips & Rubbers





## General Data

Designation	Description	System	Weight (g)	Length
RF1050	Clamping Spring 8	40 - Slot 8	4	80