

T-Nuts, ball-type, push-in

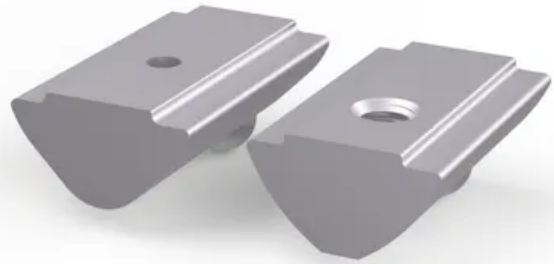
Application:

T-nut for swiveling into the t-slot. Fits into the t-slot at any point. Held in position by a spring-loaded ball. Raised area fits into the t-slot to stop twisting.

Material: Zinc plated steel

System: 40 - Slot 8

Type: T-nuts



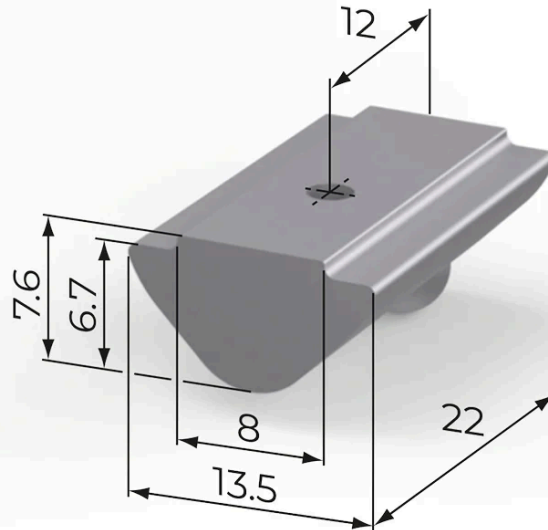
T-Nuts, slide-in**T-Nuts, push-in****T-Slot Strength**

Information in regards to the maximum allowable t-slot load capability F. These values already include a safety factor ($S > 2$) against plastic deformation.

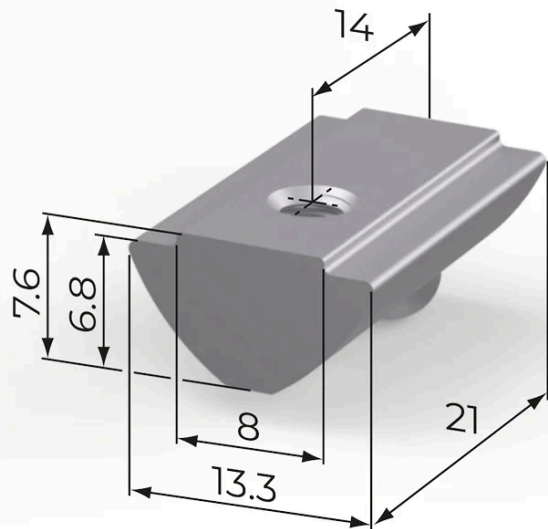
Profile type	Max. pull charge F
standard	5000 N
semi	2500 N
light	2000 N
superlight	1750 N



General Data



RN1110, RN1178, RN1179, RN1180 & RN1181



RN1010, RN1015, RN1020 & RN1025

Designation	System	Material	Thread	Weight (g)
RN1110	40 - Slot 8	Steel, zinc-plated	M3	12
RN1010	40 - Slot 8	Steel, zinc-plated	M4	11
RN1178	40 - Slot 8	Stainless steel	M4	11

Designation	System	Material	Thread	Weight (g)
RN1015	40 - Slot 8	Steel, zinc-plated	M5	11
RN1179	40 - Slot 8	Stainless steel	M5	11
RN1020	40 - Slot 8	Steel, zinc-plated	M6	10
RN1180	40 - Slot 8	Stainless steel	M6	10
RN1025	40 - Slot 8	Steel, zinc-plated	M8	9
RN1181	40 - Slot 8	Stainless steel	M8	9