

T-Nuts, ball-type, slide-in

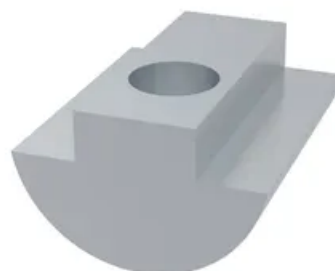
Application:

Slides in the t-slot from the end of the profile and is held in position by a spring-loaded ball. The wide supporting surface of the t-nut makes it suitable for higher fastening forces.

Material: Steel, zinc-plated

System: 40 - Slot 8

Type: T-nuts



T-Nuts, slide-in



T-Nuts, push-in



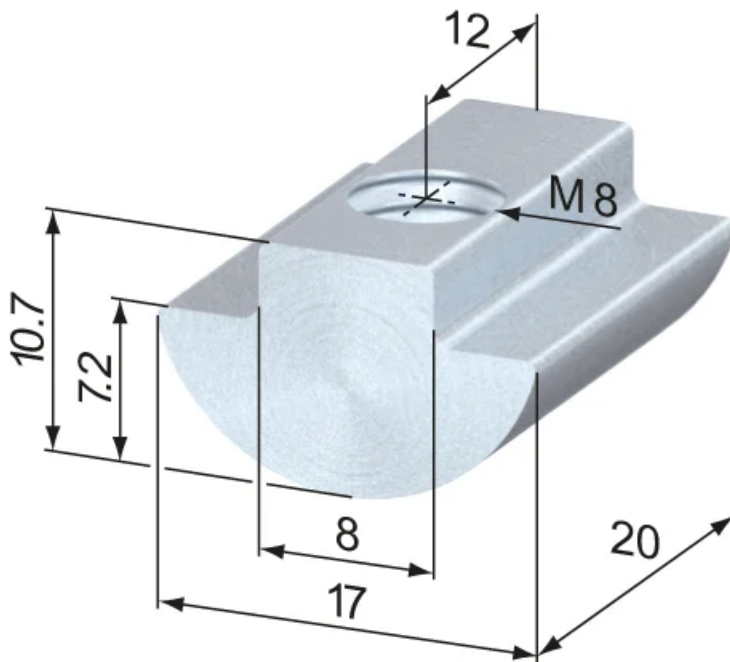
T-Slot Strength

Information in regards to the maximum allowable t-slot load capability F. These values already include a safety factor (S > 2) against plastic deformation.

Profile type	Max. pull charge F
standard	5000 N
semi	2500 N
light	2000 N
superlight	1750 N



General Data



Designation	System	Thread	Weight (g)
RN1075	40 - Slot 8	M5	17
RN1080	40 - Slot 8	M6	17
RN1085	40 - Slot 8	M8	15