

Square T-Nuts

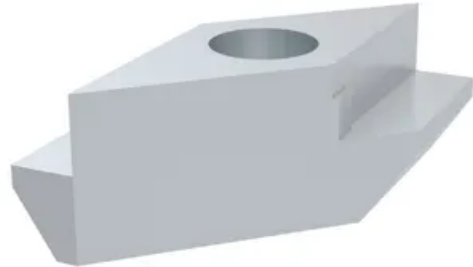
Application:

T-nut for swiveling into the t-slot. Fits into the t-slot at any point.

Material: GDZn (zinc die casting)

System: 40 - Slot 8

Type: T-nuts



T-Nuts, slide-in



T-Nuts, push-in



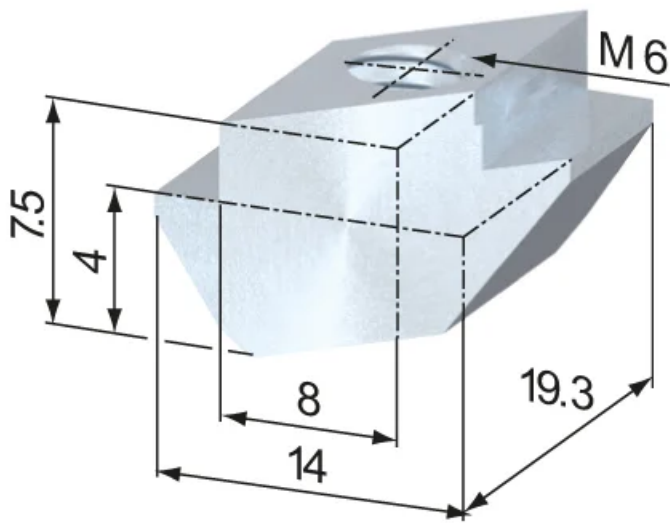
T-Slot Strength

Information in regards to the maximum allowable t-slot load capability F. These values already include a safety factor (S > 2) against plastic deformation.

Profile type	Max. pull charge F
standard	5000 N
semi	2500 N
light	2000 N
superlight	1750 N



General Data



Designation	System	Thread
RN1125	40 - Slot 8	M6