

T-Nut Profile, aluminium, slide-in

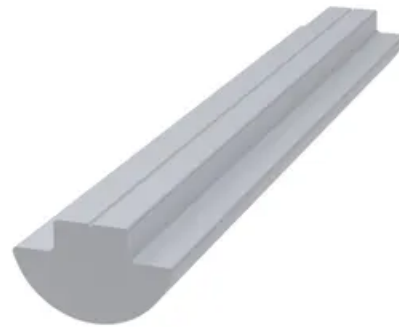
Application:

For manufacturing t-nuts, maximum tapping size M8.

Material: Aluminium, natural anodized

System: 40 - Slot 8

Type: T-nuts



T-Nuts, slide-in



T-Nuts, push-in



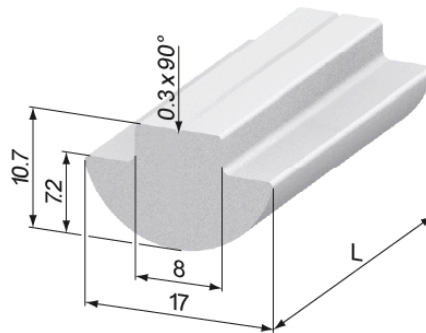
T-Slot Strength

Information in regards to the maximum allowable t-slot load capability F. These values already include a safety factor ($S > 2$) against plastic deformation.

Profile type	Max. pull charge F
standard	5000 N
semi	2500 N
light	2000 N
superlight	1750 N



General Data



Designation	System	Weight (g/m)
RN1143	40 - Slot 8	332