

## Automatic Fastening Set 40

### Application:

The automatic fastening set is quick and easy to use without modifying the profiles. We recommend installing them in pairs - this is also what the stress data refers to.

### Assembly:

Insert the cylinder head screw into the profile slot. Screw the self-tapping hollow screw into the profile slot on the face side. Use a lubricant for this. Mount the slot nut into the profile and tighten the cylinder screw.

### Supply:

M6 slot nut and MC6S ISO4762 screw included.

**Material:** Zinc plated steel

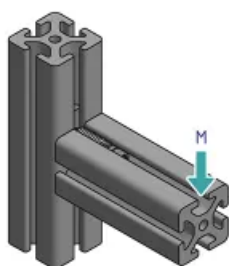
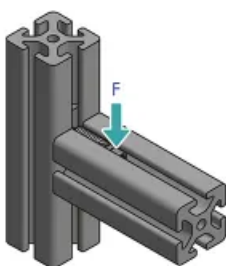
**System:** 40 - Slot 8

**Type:** Fasteners

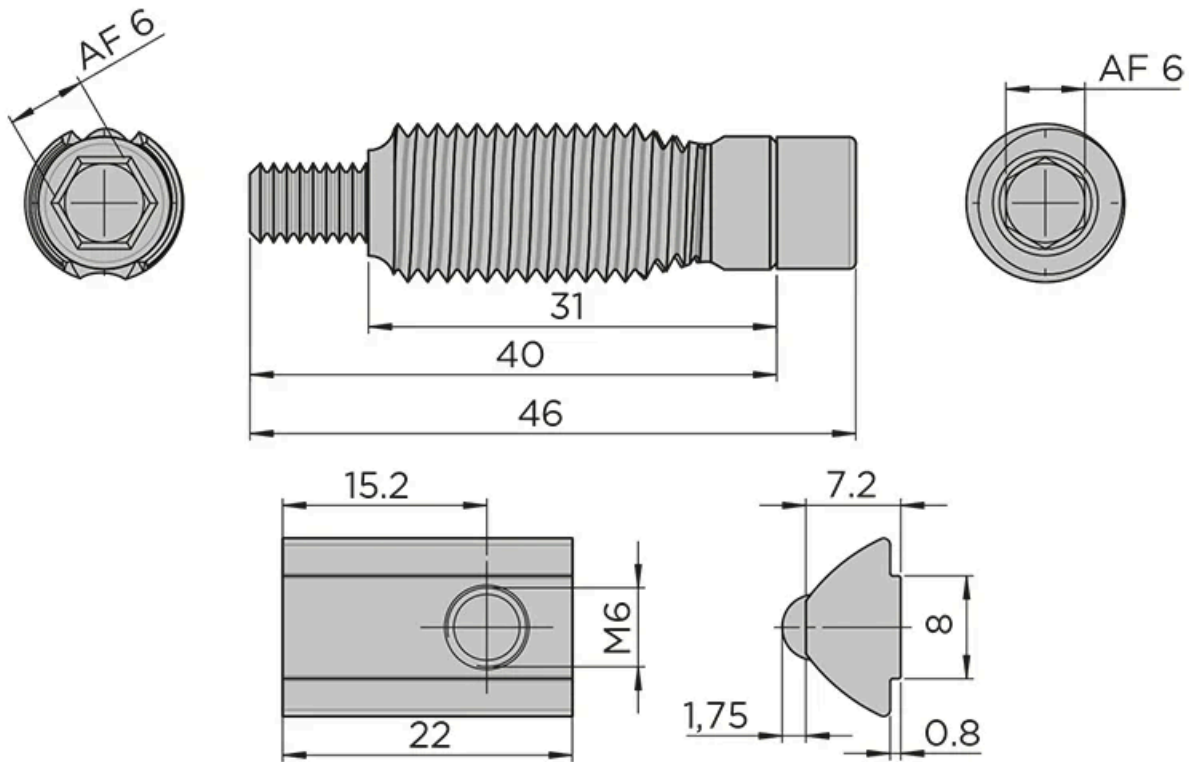




Cap for slot 8 automatic connector



**General Data**



Designation	Description	System	Material	Colour	Slot
<b>RF1102</b>	Automatic connector including slot nut with notched guide step	40 - Slot 8	Zinc plated steel	-	8
<b>RF1101</b>	Cap for slot 8 automatic connector	40 - Slot 8	Plastic (PA)	Grey RAL7042	8

Designation	Fmax (N)	Mmax (Nm)
<b>RF1102</b>	1500	80
<b>RF1101</b>	-	-