

## Central Fastener 40 S / SV

### Application:

All-purpose universal fastener. The slide-in anchor is held in position in the profile slot by a spring-loaded ball in the opposing profile t-slot.

The SV fasteners have an anti-twist feature.

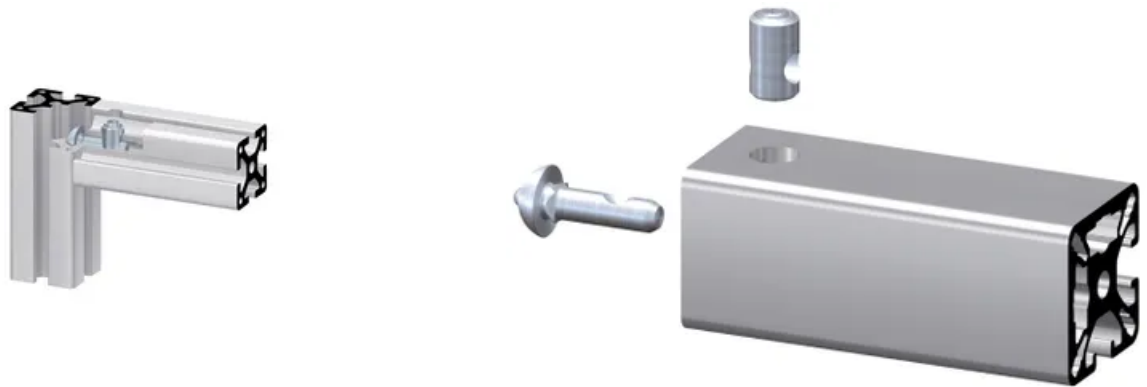
### Assembly:

Bore hole for the barrel housing: Ø 12 mm, 15 mm from profile end, 30 mm deep. Bore for center hole on end of profile for anchor: Ø 8.5 mm, 25 mm deep.

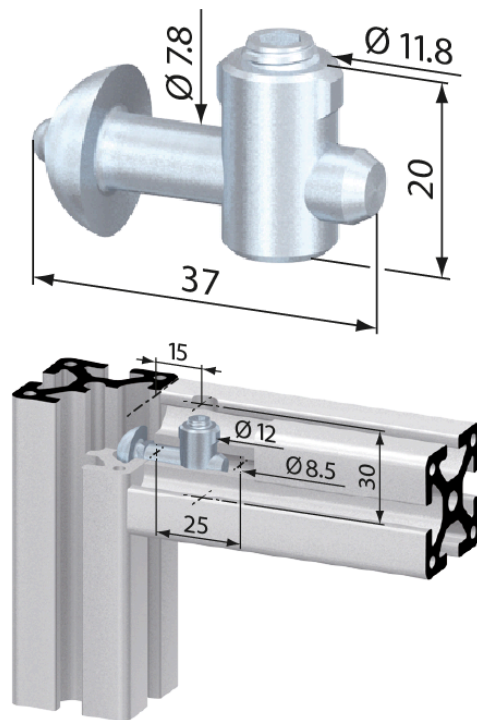
**System:** 40 - Slot 8

**Type:** Fasteners





## General Data



Designation	Description	System	Material	Weight (g)
RF1158	Central fastener 40 SV	40 - Slot 8	Steel, zinc-plated	29