

Central Fastener 40 EL / EQ

Application:

All-purpose universal fastener. The twist-in anchor, with an anti-twist feature, can be fixed in the profile groove at any point. The anchor is held in position by a spring-loaded ball in the opposing profile t-slot.

Assembly:

Bore hole for the barrel housing: Ø 12 mm, 15 mm from profile end, 30 mm deep.

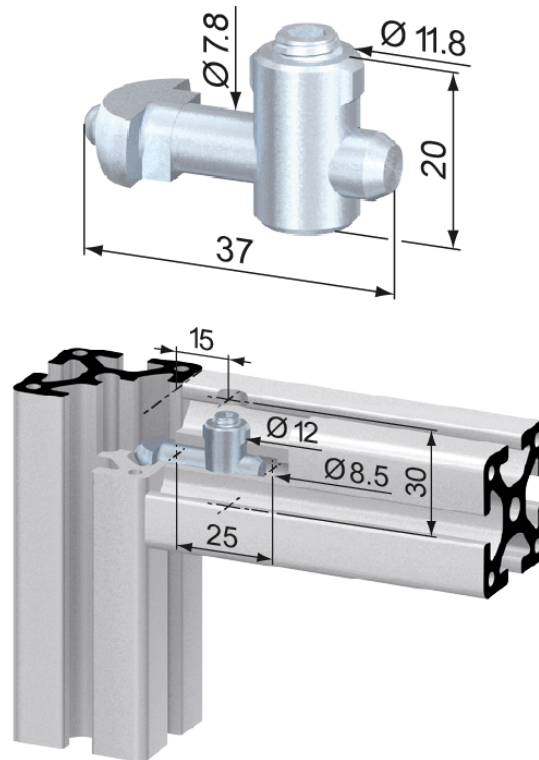
Bore for center hole on end of profile for anchor: Ø 8.5 mm, 25 mm deep.

System: 40 - Slot 8

Type: Fasteners



General Data



Designation	Description	System	Material	Weight (g)
SV1021V	Central Fastener 40 EQ	40 - Slot 8	Steel, zinc-plated	26