

## Profile Cap for SV drillings

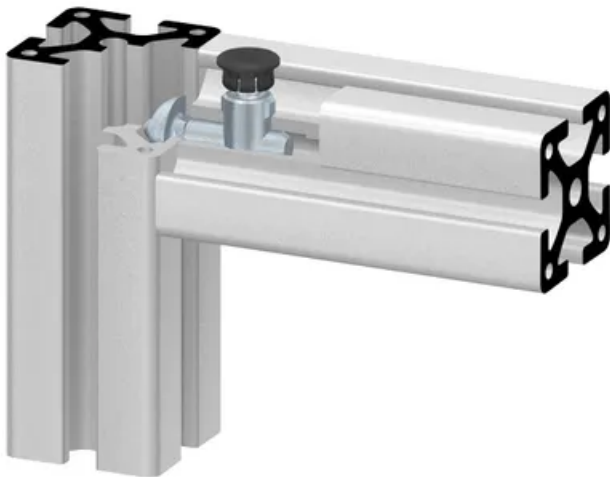
**Application:**

For covering profile drillings that occur by assembling SV fasteners.

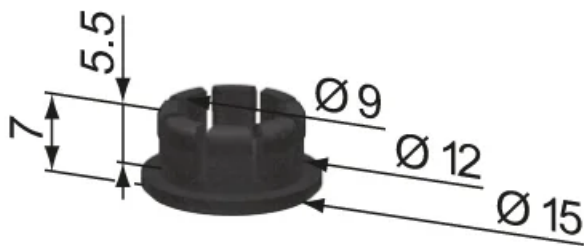
**System:** 40 - Slot 8

**Type:** Fasteners; Caps





**General Data**



Designation	Description	System
RT1157	Profile Cap for SV drillings	40 - Slot 8