

Handle AL 147

Application:

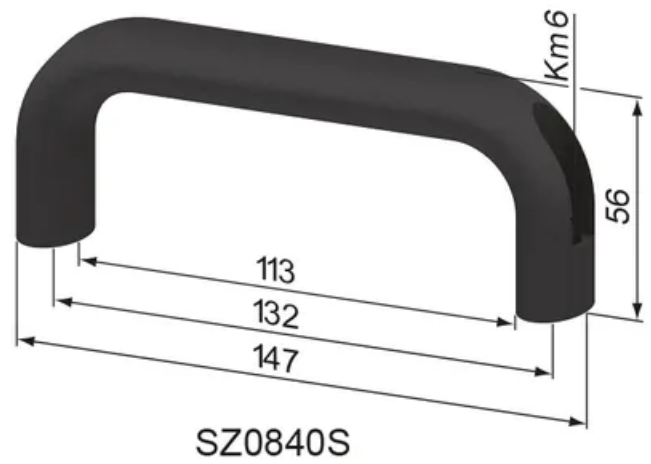
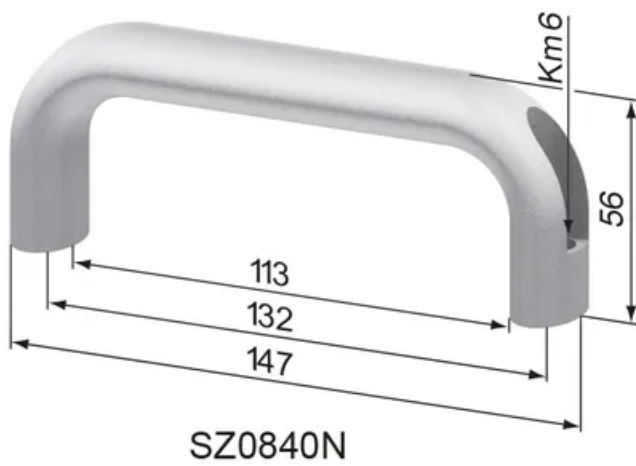
Multi-purpose, e.g. for doors and drawers.

Material: Aluminium

System: 40 - Slot 8

Type: Handles





General Data

Designation	System	Material	Weight (g)
SZ0840N	40 - Slot 8	Aluminum, natural anodized	166