

## Handle Light

Application:

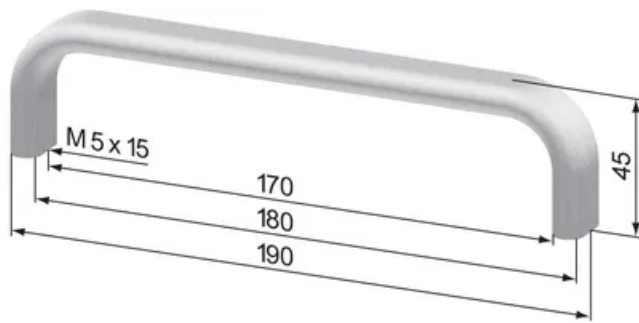
Multi-purpose, e.g. for doors and drawers.

**Material:** Aluminum, natural anodized

**System:** 40 - Slot 8

**Type:** Handles





## General Data

Designation	System	Weight (g)
SZ0810N	40 - Slot 8	100