

Machine Handle

Ergonomic shape and safety shield; mounts on doors, flaps and aluminium profiles.

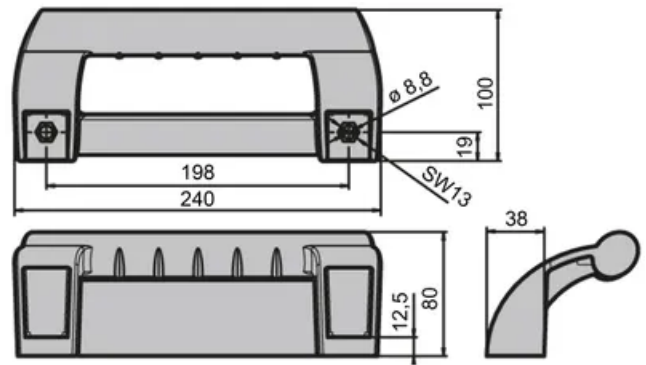
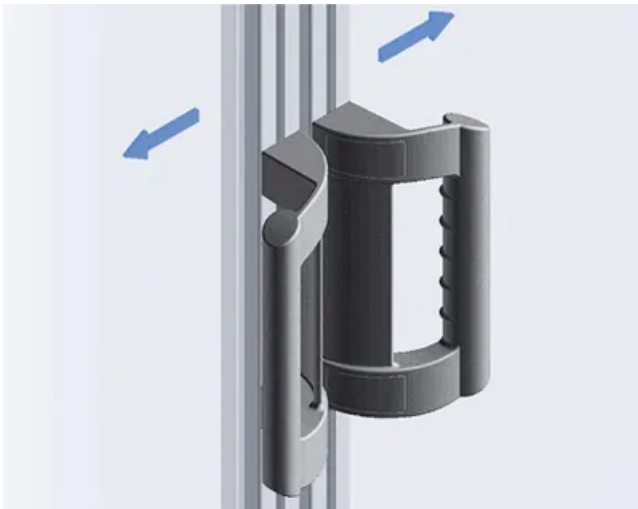
On-site mount

Material: Plastic (PA), glass bead-reinforced

System: 40 - Slot 8

Type: Handles





General Data

Designation	Description	System
RA5038	Machine handle 240 with caps for M8 screw	40 - Slot 8