

Tie Plate, steel

Application:

Universally applicable attachment elements for interconnecting profiles.

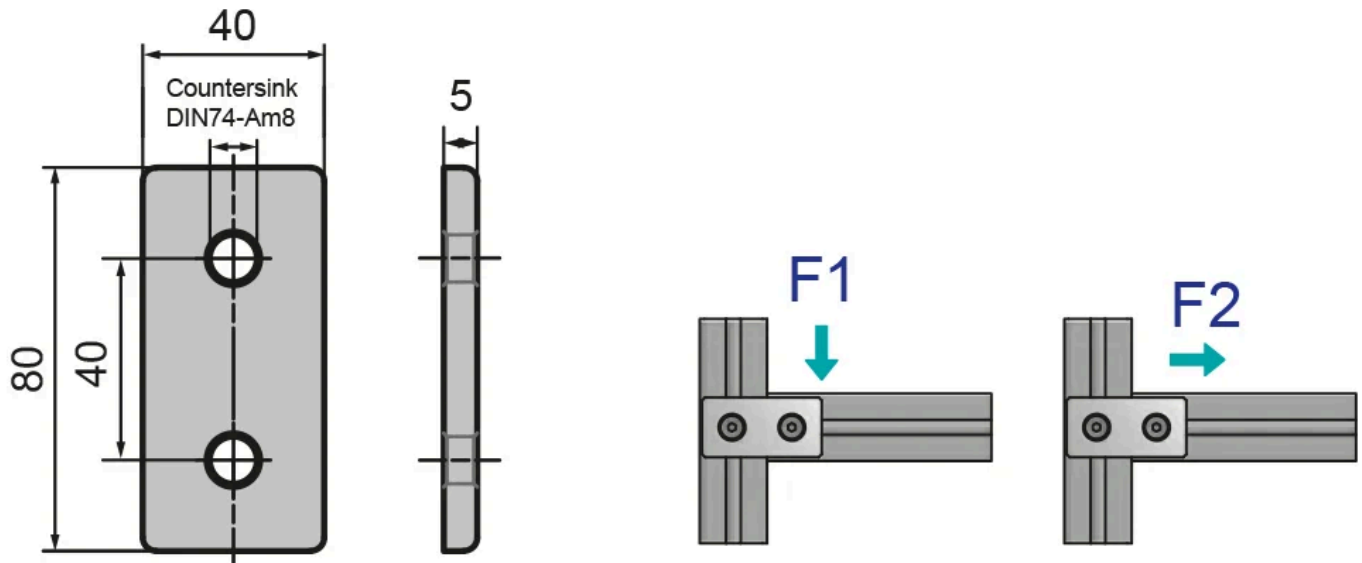
Material: Steel, black

System: 40 - Slot 8

Type: Angles Brackets and Corners; Fasteners



General Data



Designation	Description	System	F1 (N)	F2 (N)	Weight (g)
RA1120	Tie Plate 40 x 80, steel	40 - Slot 8	850	900	90