

Hinges 40

Application:

A medium to heavy load hinge for machines and protective guardings.

Supply:

2x anti-twist set screw

SZ0788V includes:

2x special t-nut 2x M 8 / spring-loaded ball

4x button head screw M 8 x 18

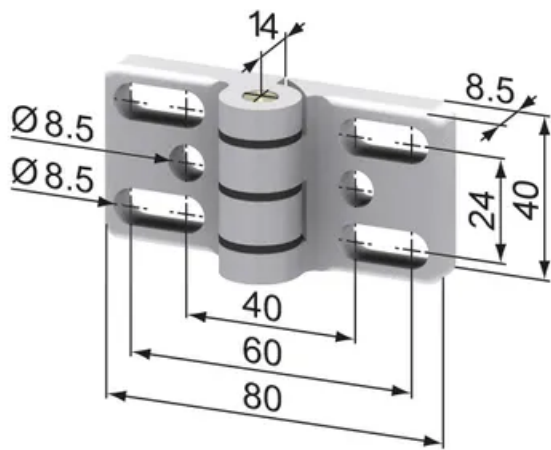
4x washer Ø 8 mm

Material: Aluminium, natural anodized, black anodized or GDZn (zinc die casting), black

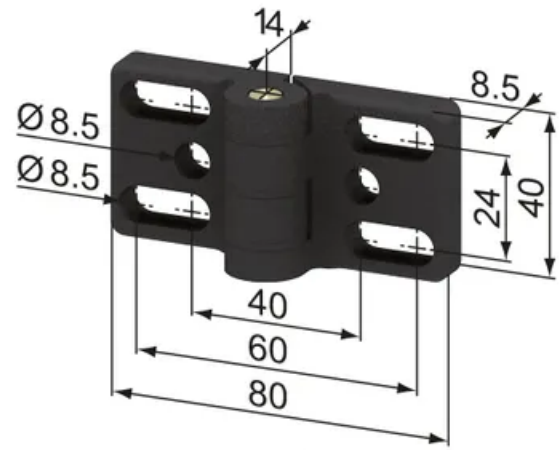
System: 40 - Slot 8

Type: Hinges

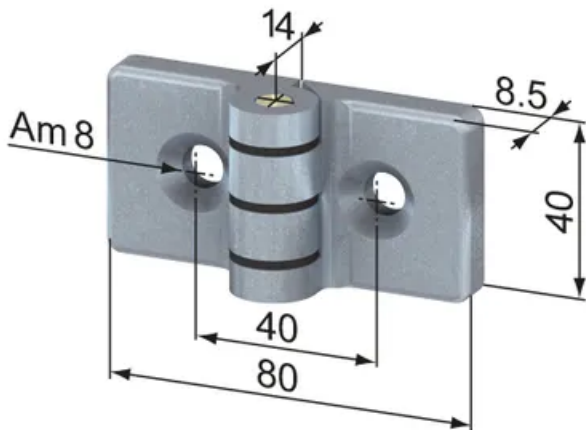




SZ0760N



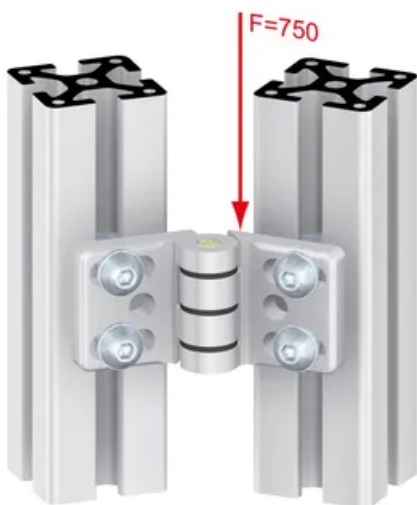
SZ0760S



SZ0762N



SZ0788V



General Data

Designation	Description	System	Weight (g)
SZ0760N	Hinge 40, natural	40 - Slot 8	83
SZ0760S	Hinge 40, black	40 - Slot 8	84