

## Hinge 40, steel

**Application:**

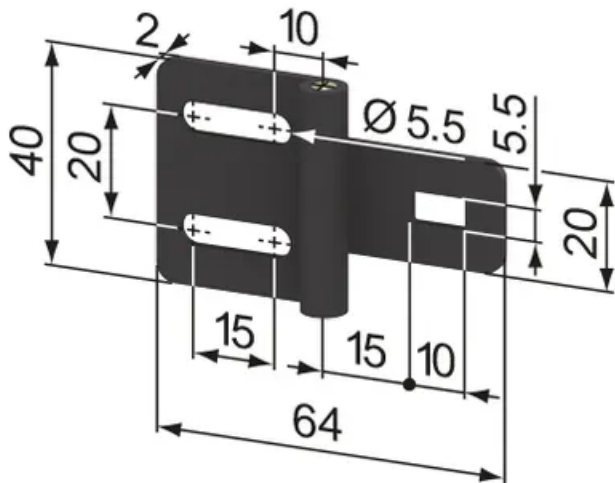
A medium load hinge for machines and protective guardings.

**Material:** Steel, black

**System:** 40 - Slot 8

**Type:** Hinges





## General Data

Designation	Description	System	Weight (g)
SZ0760V	Hinge 40, steel	40 - Slot 8	23