

## Inside Hinge Element

For surface elements and aluminium profiles. Lets you create your own combination of inside hinges.

To build a complete hinge: 2 x wing; 1 x pin, 2 x cap

On-site mount: M6 slot nut

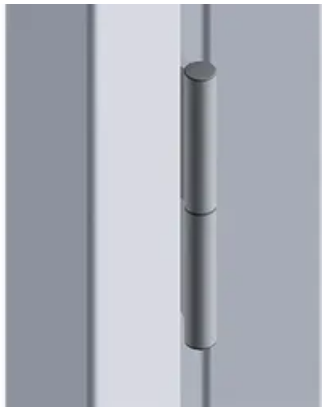
Mounting instruction: ESD-ready only if using notched slot nuts.

**Material:** Aluminium, natural anodized

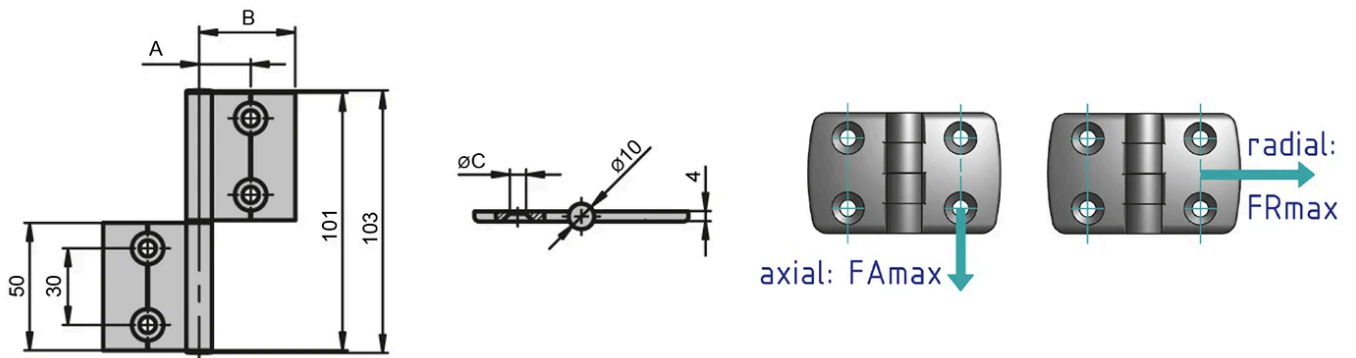
**System:** 40 - Slot 8

**Type:** Hinges





**General Data**



Designation	Description	System	A	B	C
RA5317	Internal Hinge Set, slot 8	40 - Slot 8	25	42	6.4

Designation	ESD	F <sub>Amax</sub> (N)	F <sub>Rmax</sub> (N)	Wing
RA5317	Yes	150	100	40