

Edging and Covering Strips

Application:

For covering the profile t-slot or for clamping sheet elements. Suitable for panel thicknesses 4-5 mm.

Supplied Length: 2000 mm

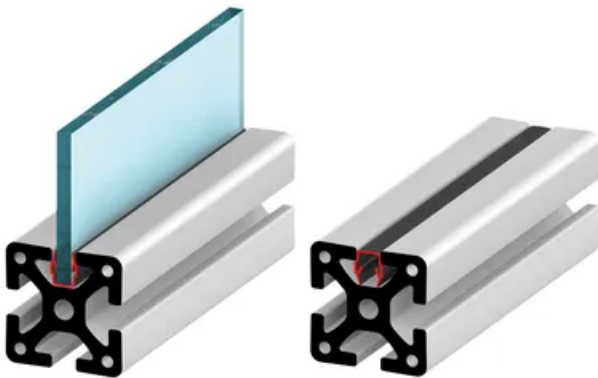
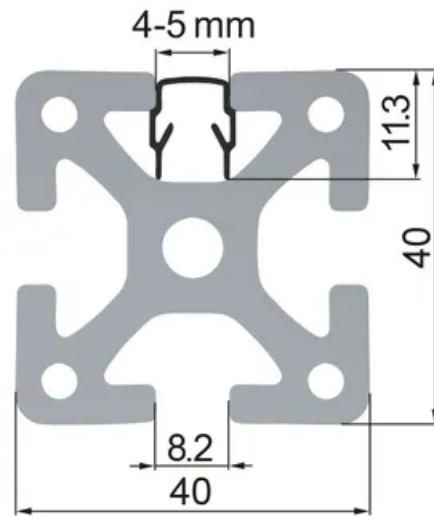
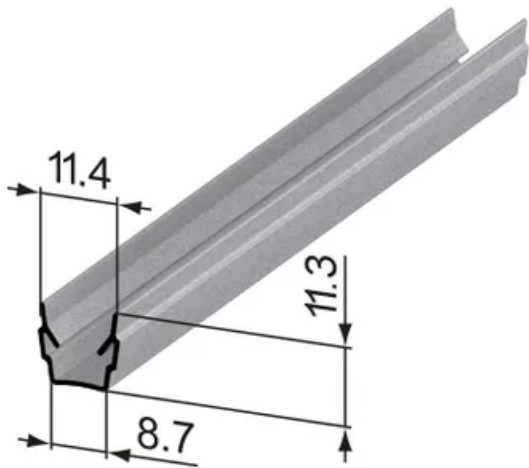
Material: Polypropylene, natural or black

System: 40 - Slot 8

Length (mm): 2000

Type: Sealing, Coverstrips & Rubbers





General Data

Designation	Description	System	Weight (g)
RA1275	Edging And Covering Strip 40, natural	40 - Slot 8	78
RA1280	Edging And Covering Strip 40, black	40 - Slot 8	78