

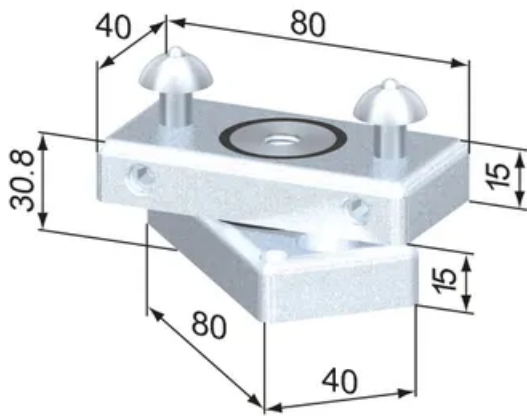
## Turntables

### Application:

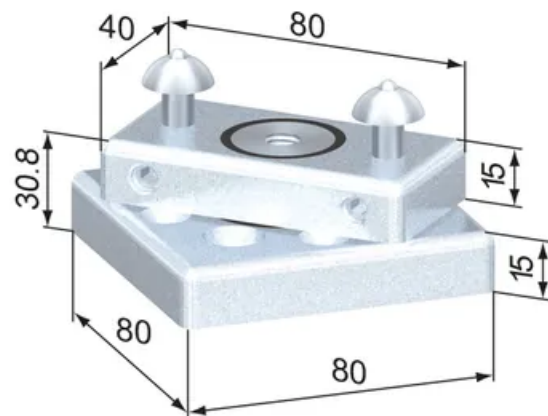
The turntables are used to construct moving swivel arms.  
The turntable 80 allows for cable runs in the open profiles  
to enter the turntable through the core hole.

**System:** 40 - Slot 8

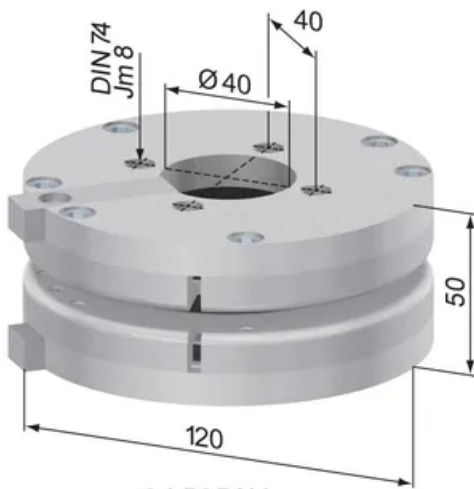




SA5225N



SA5215N



SA5250N



## General Data

Designation	Description	Material	Weight (kg)
SA5225N	Turntable 40	Steel, zinc-plated	1.03
SA5215N	Turntable 80	Steel, zinc-plated	1.03
SA5250N	Turntable 80, open	Aluminium, natural anodized; Glide bearing: plastic	0.99