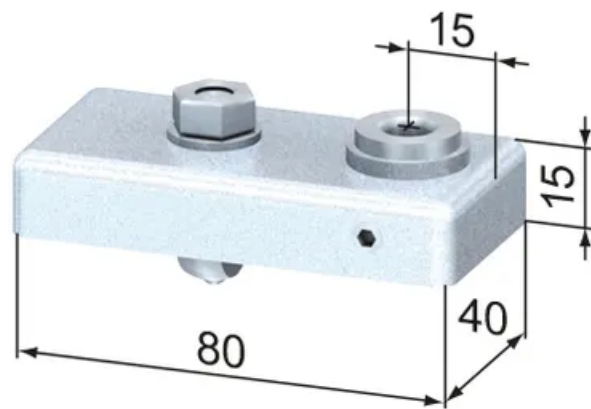


## Drill Jig

**Application:**  
Used for positioning the hole for the central fastener housing.

**Material:** Steel, zinc-plated. Drill bush hardened and ground.

**System:** 40 - Slot 8



SZ6000V

## General Data

Designation	Description	Drill hole	Weight (g)
SZ6000V	Drill Jig 40	Ø12	382