

Foot Plate 40 40x40 M10/M8

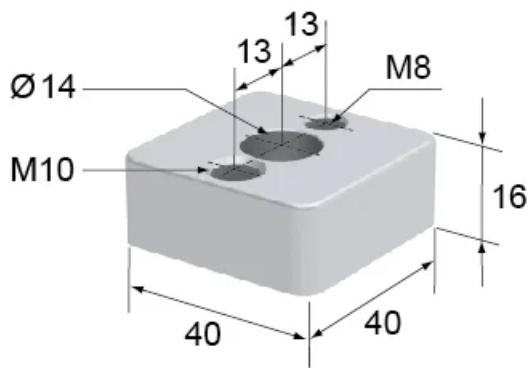
Frontal screwing into profiles offers support of ring bolts, castors and adjustable feet

Material: Steel, zinc-plated

System: 40 - Slot 8

Type: Foot Plates





General Data

Designation	Description	System
RA1005	Foot Plate 40 40x40 M10/M8	40 - Slot 8