

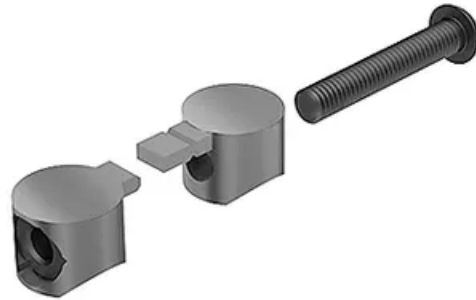
Universal Butt Fastening Set 8

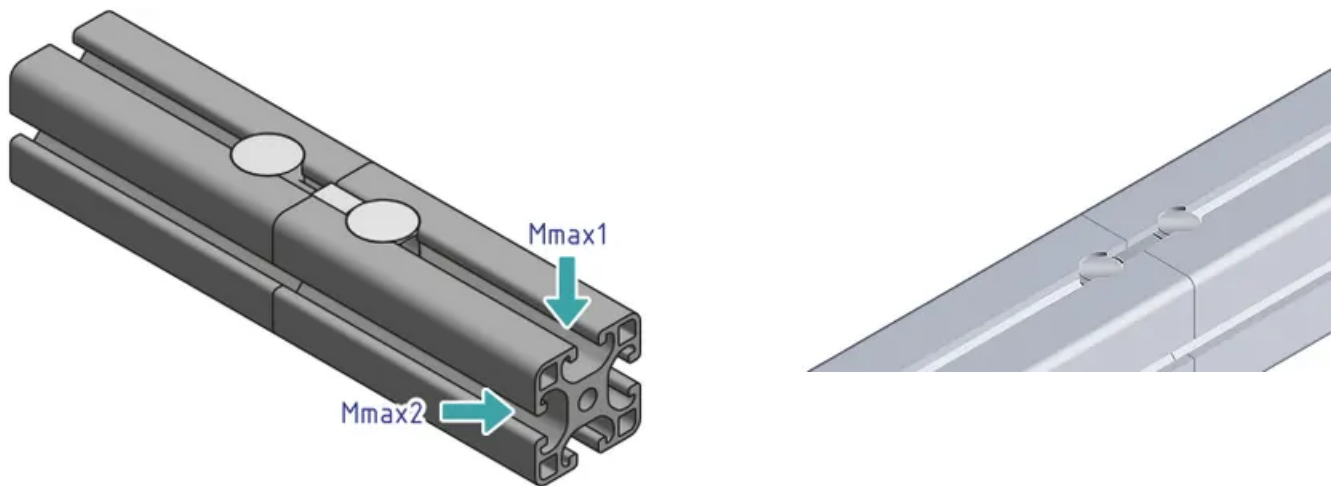
Links the face ends of two aluminium profile from the same series. Supplied with mounting kit. Set consists of 2 universal connectors, 1 M8 × 45 fillister head screw (ISO7380), 1 M8 nut (DIN934).

Material: Galvanised die-cast zinc

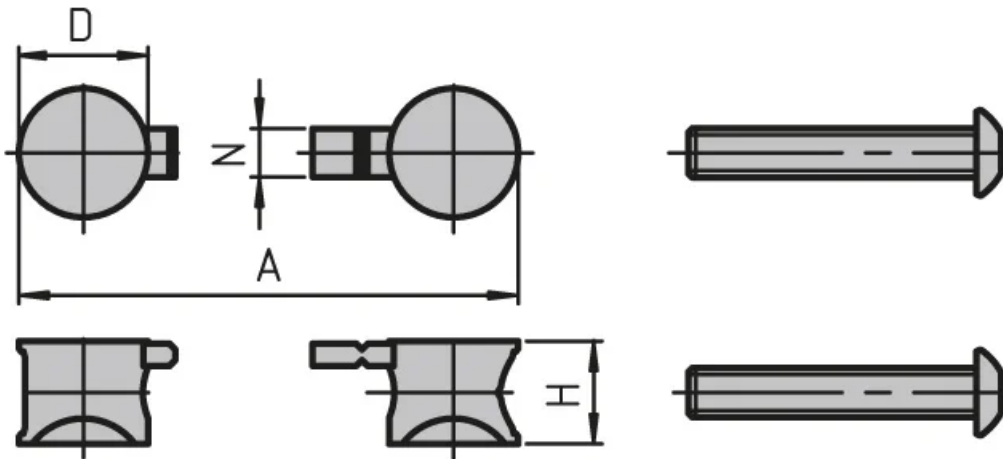
System: 40 - Slot 8

Type: Fasteners





General Data



Designation	System	A	D	H	Mmax1 (Nm)
RF1030	40 - Slot 8	60	19.7	16	150

Designation	Mmax2 (Nm)
RF1030	150