

## MF Container Self Lubricant

For protecting the linear rail system from fine foreign matter and where grease feeding is not easy, the self-lubricant container (MF) is a good option.

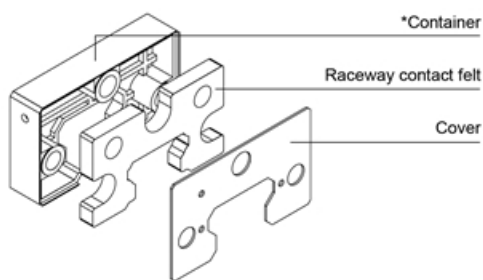
MF (Self lubricating) contains grease impregnated felt which feeds the grease on the raceway continuously. Each compact seal kit will guarantee total surface lubrication and long maintenance free bearing life.

(Wipe the raceway and grease is coating on the raceway) .

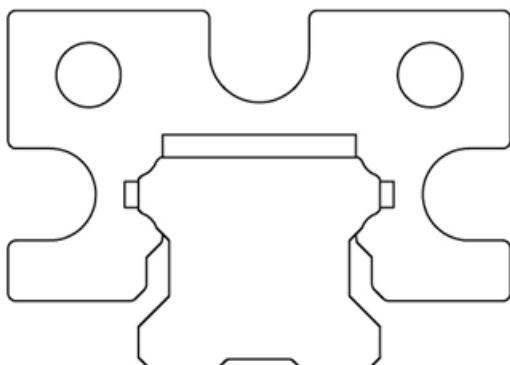
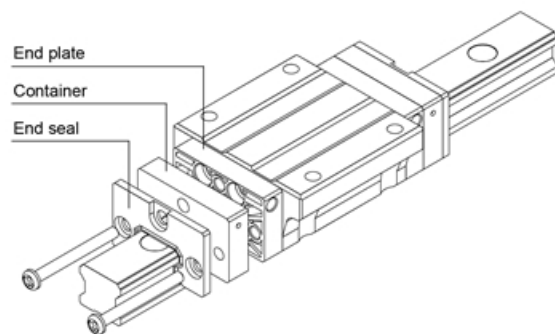
Function and classification in accordance with seal type:  
MF: Self lubricating for long maintenance intervals

When ordering slider with MF container the slider is supplied without grease nipple. See attached file for Lifetime test.

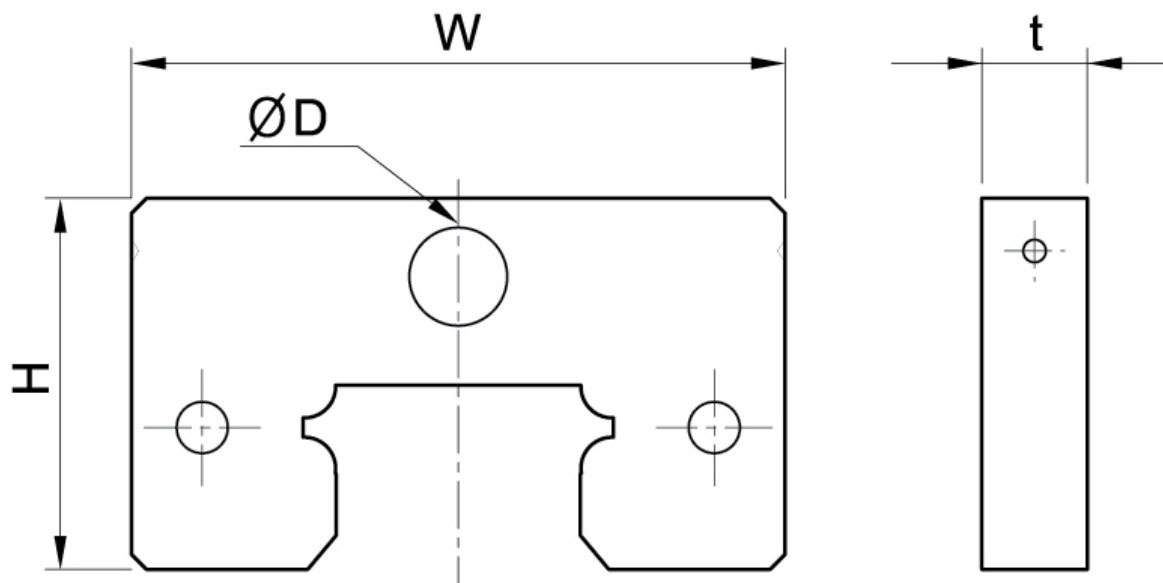
Dimensions in mm.



\* Containers contact surfaces are tolerance match to the guiderail to ensure perfect sealing



## Product Data



Designation	Block Type	W	t	H	D
SBI15-MFA	FL/FLL/HL/HLL/SL/SLL/FV/SV	33.4	7	20.2	4
SBI20-MFA	FL/FLL/SL/SLL	43.4	7	24.6	6.5
SBI20-MFB	CL/CLL/FV/SV	43.4	7	22.6	6.5
SBI25-MFA	FL/FLL/HL/HLL/SL/SLL	47	7	29.7	6.5
SBI25-MFB	CL/CLL/FV/SV	47	7	26.7	6.5
SBI30-MFA	FL/FLL/HL/HLL/SL/SLL	59	8	34.2	6.5
SBI35-MFA	FL/FLL/HL/HLL/SL/SLL	69	8	39.7	6.5
SBI45-MFA	FL/FLL/HL/HLL/SL/SLL	85	8	49.7	10.5
SBI55-MFA	FL/FLL/HL/HLL/SL/SLL	98	9	56	10.5
SBI65-MFA	FL/FLL/SL/SLL	123	9	69	10.5