

MK Clamping Element

Pneumatic Clamping element, designed to be used for holding a position when using Linear Rail Guides. Energize to close (NO).

Compatible with Linear Rail SBI only.

Because of the height difference of different rail guide blocks and to ensure the proper function of the MK Clamping Elements, the use of adapter plates is sometimes needed. See document "Clamping Elements & Accessories" for individual block types and whether an adapter plate is needed.

Dimensions in mm.

More types are available, contact Rollco for further information.

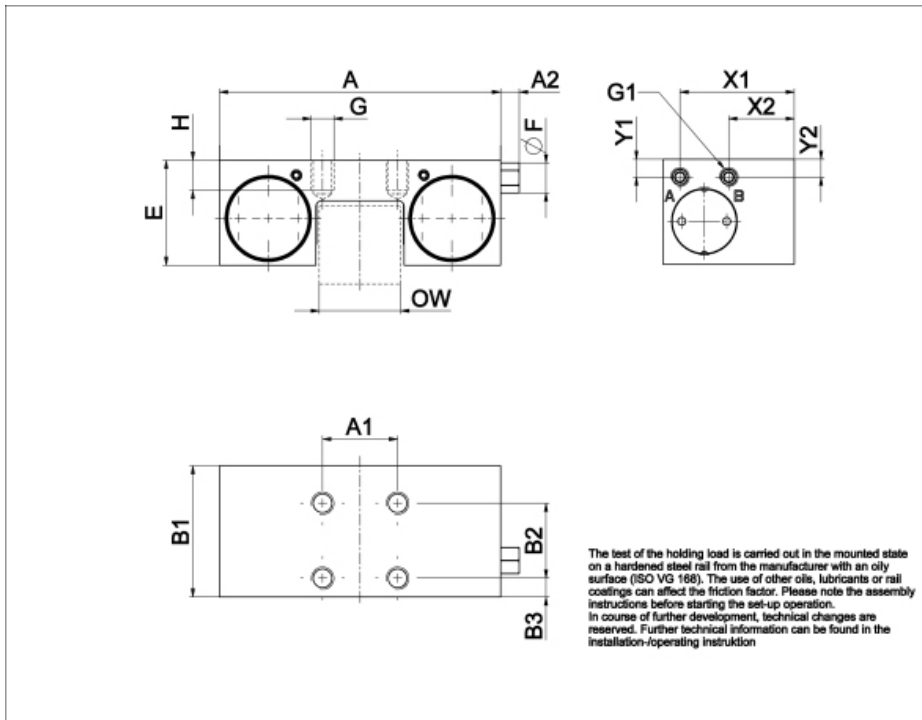
Temperature: -10 - 70°C



General Data

Designation	Compatible with	Fixing force (N)	Operating pressure (bar)	Max. Operating Pressure (bar)	Installation way
MK1501A	SBI15, SBI15-B	650	6	6.5	from above
MK2001A	SBI20, SBI20-B	1000	6	6.5	from above
MK2501A	SBI25, SBI25-B	1200	6	6.5	from above
MK3001A	SBI30, SBI30-B	1750	6	6.5	from above
MK3501A	SBI35, SBI35-B	2000	6	6.5	from above
MK4501A	SBI45, SBI45-B	2250	6	6.5	from above
MK5501A	SBI55, SBI55-B	2250	6	6.5	from above
MK6501A	SBI65, SBI65-B	2250	6	6.5	from above

Dimensions



Designation	OW	D	T	A	C	X	E	A1	A2
MK1501A	15	24	0	55	2.5	24	21.5	15	5
MK2001A	20	28	0	66	2.5	28	25.5	20	6
MK2501A	23	36	2	75	6	34	28	20	5
MK3001A	28	45	3	90	7	42	35	22	5
MK3501A	34	48	4	100	7.5	44	36.5	24	5
MK4501A	45	60	6	120	10.5	54	43.5	26	5
MK5501A	53	70	6	128	15.5	64	48.5	30	5
MK6501A	63	90	0	138	27	90	63	30	5

Designation	B1	B2	B3	G	H	F	W1 (SW air filter)	G1 (air connection)	X1 (air filter horizontal / mm)	Y1 (air filter vertical / mm)
MK1501A	39	15	15.5	M4	4.5	8	7	M5	34	17
MK2001A	39	20	5	M5	5.5	8	7	M5	34	6
MK2501A	35	20	5	M6	8	8	7	M5	34	4.7
MK3001A	39	22	8.5	M8	10	8	7	M5	24.5	5.2
MK3501A	39	24	7.5	M8	10	8	7	M5	20	5.2
MK4501A	49	26	11.5	M10	15	8	7	M5	29.5	11
MK5501A	49	30	9.5	M10	18	8	7	M5	29.5	14.5
MK6501A	49	30	9.5	M10	15	5	7	M5	37	32

Designation	X2 (air connection horizontal / mm)	Y2 (air connection vertical / mm)
MK1501A	34	6.1

Dimensions

Designation	X2 (air connection horizontal / mm)	Y2 (air connection vertical / mm)
MK2001A	17.1	6
MK2501A	17.5	4.7
MK3001A	14.5	5.2
MK3501A	9	5.2
MK4501A	19.5	11
MK5501A	19.5	14.5
MK6501A	20	30