

Rollers for Plate Version

CONCENTRIC ROLLER

RSBLN: Standard bearing steel

RXBLN: Stainless bearing steel

ECCENTRIC ROLLER

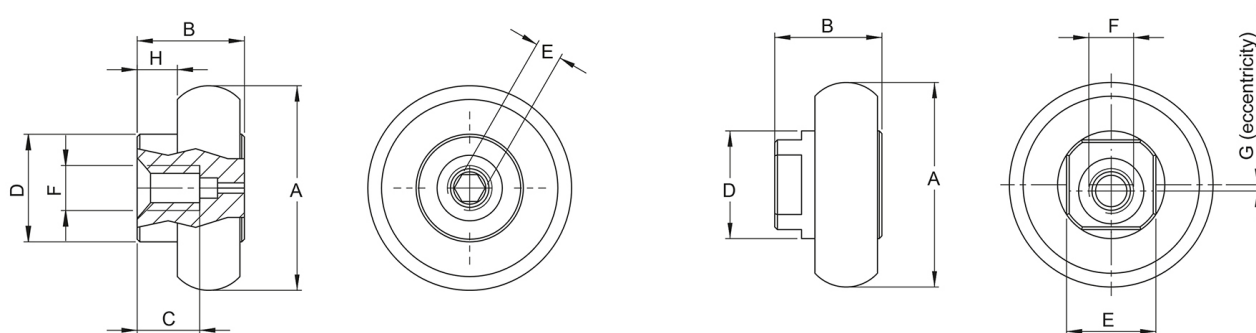
RSBLA: Standard bearing steel

RXBLA: Stainless bearing steel

Standard slider is with 3 rollers. The rollers can also be mounted directly into your application or we can make special sliders according to your needs. Please contact Rollco for more information.



Dimensions



Designation	A	B	C	D	E	F	G	H
RSBLN20-2Z	14	8.2	6	8	2	M4	-	4
RXBLN20-2RS	14	8.2	6	8	2	M4	-	4
RSBLA20-2Z	14	8.2	6	8	6	M4	0.5	4
RXBLA20-2RS	14	8.2	6	8	6	M4	0.5	4
RSBLN30-2Z	22.8	12	7	12	3	M5	-	4.5
RXBLN30-2RS	22.8	12	7	12	3	M5	-	4.5
RSBLA30-2Z	22.8	12	7	12	10	M5	0.7	4.5
RXBLA30-2RS	22.8	12	7	12	10	M5	0.7	4.5
RSBLN45-2Z	35.6	17.3	12	16	3	M6	-	6
RXBLN45-2RS	35.6	17.3	12	16	3	M6	-	6
RSBLA45-2Z	35.6	17.3	12	16	13	M6	0.8	6
RXBLA45-2RS	35.6	17.3	12	16	13	M6	0.8	6

Variant Data

Designation	Weight (kg)
RSBLN20-2Z	0.006
RXBLN20-2RS	0.006
RSBLA20-2Z	0.006
RXBLA20-2RS	0.006
RSBLN30-2Z	0.02
RXBLN30-2RS	0.02
RSBLA30-2Z	0.02
RXBLA30-2RS	0.02
RSBLN45-2Z	0.068
RXBLN45-2RS	0.068
RSBLA45-2Z	0.068
RXBLA45-2RS	0.068