

## LSG

Dimensions in mm.

**Material:** Steel (black cataphoresis) or stainless steel AISI 316

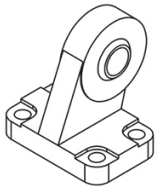


## General Data

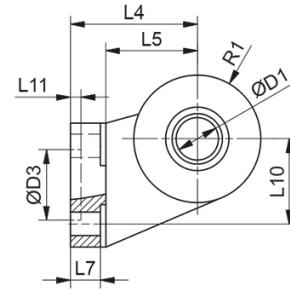
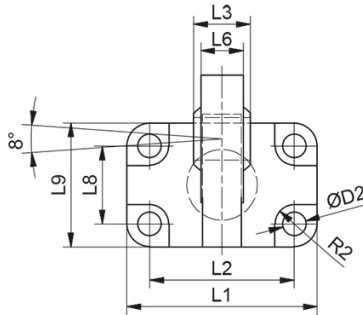
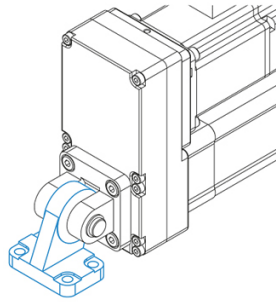
Designation	Compatible with	Material	Fmax (N)	Mass (kg)
<b>LSG 32 - 8129</b>	PNCE 32	Steel (black cataphoresis)	F PNCE	0.18
<b>LSG 32 CR - 69071</b>	PNCE 32	Stainless steel AISI 316	F PNCE	0.18
<b>LSG 40 - 8130</b>	PNCE 40	Steel (black cataphoresis)	F PNCE	0.27
<b>LSG 40 CR - 69072</b>	PNCE 40	Stainless steel AISI 316	F PNCE	0.27
<b>LSG 50 - 8131</b>	PNCE 50	Steel (black cataphoresis)	F PNCE	0.46
<b>LSG 50 CR - 69073</b>	PNCE 50	Stainless steel AISI 316	F PNCE	0.46
<b>LSG 63 - 8132</b>	PNCE 63	Steel (black cataphoresis)	F PNCE	0.55
<b>LSG 63 CR - 69069</b>	PNCE 63	Stainless steel AISI 316	F PNCE	0.55
<b>LSG 80 - 8133</b>	PNCE 80	Steel (black cataphoresis)	F PNCE	0.97
<b>LSG 80 CR - 83089</b>	PNCE 80	Stainless steel AISI 316	F PNCE	0.97
<b>LSG 100 - 8127</b>	PNCE 100	Steel (black cataphoresis)	F PNCE	1.33
<b>LSG 100 CR - 83090</b>	PNCE 100	Stainless steel AISI 316	F PNCE	1.33

## Dimensions

CR



SIMPLE SUPPORT



Designation	L1	L2	L3	L4	L5	L6	L7	L8	L9
<b>LSG 32 - 8129</b>	51	38	14	32 (JS 15)	22	10.5	8.5	18	31
<b>LSG 32 CR - 69071</b>	51	38	14	32 (JS 15)	22	10.5	8.5	18	31
<b>LSG 40 - 8130</b>	54	41	16	36 (JS 15)	22	10.5	8.5	18	31
<b>LSG 40 CR - 69072</b>	54	41	16	36 (JS 15)	22	10.5	8.5	18	31
<b>LSG 50 - 8131</b>	65	50	21	45 (JS 15)	26	12	8.5	22	35
<b>LSG 50 CR - 69073</b>	65	50	21	45 (JS 15)	26	12	8.5	22	35
<b>LSG 63 - 8132</b>	67	52	21	50 (JS 15)	33	15	10.5	30	45
<b>LSG 63 CR - 69069</b>	67	52	21	50 (JS 15)	33	15	10.5	30	45
<b>LSG 80 - 8133</b>	86	66	25	63 (JS 15)	38	15	10.5	35	50
<b>LSG 80 CR - 83089</b>	86	66	25	63 (JS 15)	38	15	10.5	35	50
<b>LSG 100 - 8127</b>	96	76	25	71 (JS 15)	49	18	11.5	40	60
<b>LSG 100 CR - 83090</b>	96	76	25	71 (JS 15)	49	18	11.5	40	60

Designation	L10	L11	D1	D2	D3	R1	R2
<b>LSG 32 - 8129</b>	21 (JS 15)	3	Ø 10 (H7)	Ø 6.6 (H13)	Ø 20 (H13)	15	5.5 (H13)
<b>LSG 32 CR - 69071</b>	21 (JS 15)	3	Ø 10 (H7)	Ø 6.6 (H13)	Ø 20 (H13)	15	5.5 (H13)
<b>LSG 40 - 8130</b>	24 (JS 15)	3	Ø 12 (H7)	Ø 6.6 (H13)	Ø 20 (H13)	18	5.5 (H13)
<b>LSG 40 CR - 69072</b>	24 (JS 15)	3	Ø 12 (H7)	Ø 6.6 (H13)	Ø 20 (H13)	18	5.5 (H13)
<b>LSG 50 - 8131</b>	33 (JS 15)	3	Ø 16 (H7)	Ø 9 (H13)	Ø 20 (H13)	20	7.5 (H13)
<b>LSG 50 CR - 69073</b>	33 (JS 15)	3	Ø 16 (H7)	Ø 9 (H13)	Ø 20 (H13)	20	7.5 (H13)
<b>LSG 63 - 8132</b>	37 (JS 15)	3	Ø 16 (H7)	Ø 9 (H13)	Ø 20 (H13)	23	7.5 (H13)
<b>LSG 63 CR - 69069</b>	37 (JS 15)	3	Ø 16 (H7)	Ø 9 (H13)	Ø 20 (H13)	23	7.5 (H13)
<b>LSG 80 - 8133</b>	47 (JS 15)	3	Ø 20 (H7)	Ø 11 (H13)	Ø 20 (H13)	27	9 (H13)
<b>LSG 80 CR - 83089</b>	47 (JS 15)	3	Ø 20 (H7)	Ø 11 (H13)	Ø 20 (H13)	27	9 (H13)
<b>LSG 100 - 8127</b>	55 (JS 15)	3	Ø 20 (H7)	Ø 11 (H13)	Ø 20 (H13)	30	9 (H13)
<b>LSG 100 CR - 83090</b>	55 (JS 15)	3	Ø 20 (H7)	Ø 11 (H13)	Ø 20 (H13)	30	9 (H13)