

Motor Side Drive with a Timing Belt

Side drive for PNCE Electromechanical cylinder.
Mounting screws are included.

Note: This is an dummy item. The motor flange will be designed after receipt of order and drawing of requested motor type. The geometry of motor flange can be changed in order to adapt it to a requested motor type.

Dimensions in mm.

Max. radial load on shaft on shaft is the load which is linearly dependent on the maximum drive torque M_p , MSD and is generated by the correct pretension of the belt. This load needs to be reduced in accordance with the capabilities of the motor.

Mass in an average value. It could differ depending to the motor dimensions.

N in the table below indicates standard value. It could differ depending to the motor dimensions M and L1.

For order information, see Order Codes. Contact us for CAD-files and further information.

** Minimum dimension L1 depends on the size of particular clamping set. See attached table.



Min. dimension L1 depending on motor shaft diameter ØD

Designation	Type	Clearance	ØD [mm]																																		
			1	4	5	6	6,5	7	8	9	9,5	10	11	12	14	15	16	17	18	19	20	22	24	25	25,4	28	30	32	35	38	40						
MSD 32-T2-1	R0	1	30	32	37	37	37	-	-	-	-	-	-	-	-	-	-	-	-	-	-	-	-	-	-	-	-	-	-	-	-	-	-	-	-		
		L5	17	17	17	17	20	20	-	-	-	-	-	-	-	-	-	-	-	-	-	-	-	-	-	-	-	-	-	-	-	-	-	-	-	-	
MSD 32-T1-1	T1	1	-	-	17	17	17	17	18	18	18	18	18	20	22	22	25	25	25	-	-	-	-	-	-	-	-	-	-	-	-	-	-	-	-	-	
		L5	-	-	17	17	17	17	18	18	18	18	18	18	20	22	22	25	25	25	-	-	-	-	-	-	-	-	-	-	-	-	-	-	-	-	-
MSD 40-T1-1	T1	1	-	-	17	17	17	17	18	18	18	18	18	20	22	22	25	25	25	-	-	-	-	-	-	-	-	-	-	-	-	-	-	-	-	-	
		L5	-	-	17	17	17	17	18	18	18	18	18	18	20	22	22	25	25	25	-	-	-	-	-	-	-	-	-	-	-	-	-	-	-	-	-
MSD 40-T2-1	T2	1	-	-	18	18	18	18	20	20	20	21	21	25	25	25	28	28	28	28	28	32	32	32	32	-	-	-	-	-	-	-	-	-	-	-	
		L5	-	-	18	18	18	18	20	20	20	21	21	25	25	25	28	28	28	28	28	32	32	32	32	-	-	-	-	-	-	-	-	-	-	-	-
MSD 50-T1-1	T1	1	-	-	-	-	18	18	18	20	20	21	21	25	25	25	28	28	28	28	32	32	32	32	-	-	-	-	-	-	-	-	-	-	-	-	
		L5	-	-	-	-	18	18	18	20	20	21	21	25	25	25	28	28	28	28	32	32	32	32	-	-	-	-	-	-	-	-	-	-	-	-	-
MSD 50-T2-1	T2	1	-	-	-	-	22	23	23	23	23	23	27	27	30	30	30	30	34	34	34	34	34	37	-	-	-	-	-	-	-	-	-	-	-	-	
		2	-	-	-	-	22	22	22	23	23	23	23	27	27	30	30	30	30	34	34	34	34	34	37	-	-	-	-	-	-	-	-	-	-	-	-
MSD 63-T1-1	T1	1	-	-	-	-	-	-	-	-	-	-	27	27	30	30	30	30	34	34	34	34	34	37	-	-	-	-	-	-	-	-	-	-	-	-	
		2	-	-	-	-	-	-	-	-	-	-	27	27	30	30	30	30	34	34	34	34	34	37	-	-	-	-	-	-	-	-	-	-	-	-	-
MSD 80-T1-1	T1	1	-	-	-	-	-	-	-	-	-	-	-	-	32	32	35	35	35	35	39	39	39	39	42	42	-	-	-	-	-	-	-	-	-		
		2	-	-	-	-	-	-	-	-	-	-	-	-	32	32	35	35	35	35	39	39	39	39	42	42	-	-	-	-	-	-	-	-	-	-	
MSD 80-T2-1	T2	1	-	-	-	-	-	-	-	-	-	-	-	-	32	32	35	35	35	35	39	39	39	39	42	42	-	-	-	-	-	-	-	-	-		
		2	-	-	-	-	-	-	-	-	-	-	-	-	32	32	35	35	35	35	39	39	39	39	42	42	-	-	-	-	-	-	-	-	-	-	
MSD 900-T1-1	T1	1	-	-	-	-	-	-	-	-	-	-	-	-	-	-	-	-	-	-	-	-	-	-	-	-	-	-	-	-	-	-	-	-	-	-	
		2	-	-	-	-	-	-	-	-	-	-	-	-	-	-	-	-	-	-	-	-	-	-	-	-	-	-	-	-	-	-	-	-	-	-	

General Data

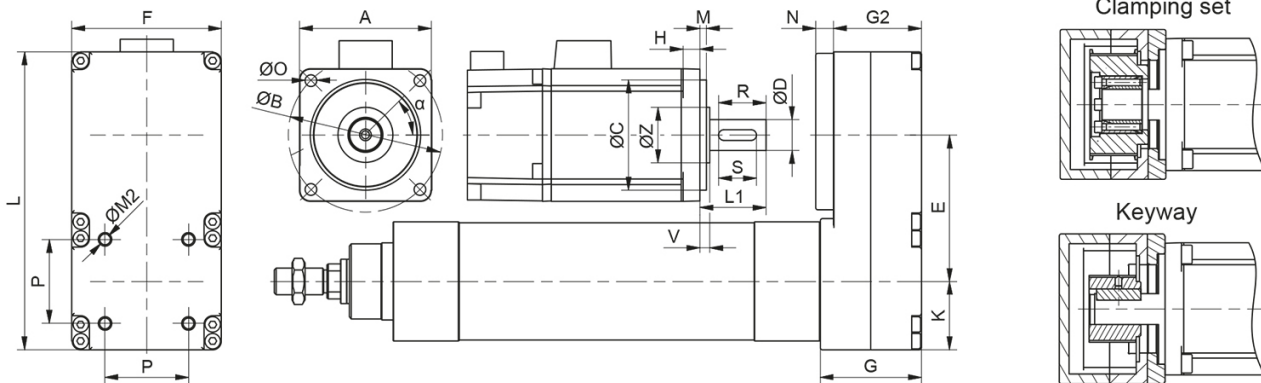
Designation	Compatible with	Type	Gear ratio (I)	Max. Drive Torque (Nm)	Max. Radial Load on Shaft (N)
MSD 32 - T0 - 1	PNCE 32	T0	1	1	40
MSD 32 - T1 - 1	PNCE 32	T1	1	1.4	40
MSD 32 - T1 - 1,5	PNCE 32	T1	1.5	0.9	40
MSD 40 - T1 - 1	PNCE 40	T1	1	3	80
MSD 40 - T1 - 1,5	PNCE 40	T1	1.5	2	80
MSD 40 - T2 - 1	PNCE 40	T2	1	4	80
MSD 40 - T2 - 1,5	PNCE 40	T2	1.5	2.6	80
MSD 50 - T1 - 1	PNCE 50	T1	1	9	170
MSD 50 - T1 - 1,5	PNCE 50	T1	1.5	6	170
MSD 50 - T2 - 1	PNCE 50	T2	1	9	205
MSD 50 - T2 - 2	PNCE 50	T2	2	4.5	205
MSD 63 - T1 - 1	PNCE 63	T1	1	21	500
MSD 63 - T1 - 2	PNCE 63	T1	2	8.9	400
MSD 80 - T1 - 1	PNCE 80	T1	1	24	500
MSD 80 - T1 - 2	PNCE 80	T1	2	10	400
MSD 80 - T2 - 1	PNCE 80	T2	1	48	500
MSD 80 - T2 - 2	PNCE 80	T2	2	24	500
MSD 100 - T1 - 1	PNCE 100	T1	1	110	1000
MSD 100 - T1 - 2	PNCE 100	T1	2	50	1000

Designation	No Load Torque (Nm)	Mass Moment of Inertia (10 ⁻⁶ kg m ²)	Mass (kg)
MSD 32 - T0 - 1	0.03	4.6	0.5
MSD 32 - T1 - 1	0.1	53	0.85
MSD 32 - T1 - 1,5	0.07	31	0.72
MSD 40 - T1 - 1	0.1	62	0.92
MSD 40 - T1 - 1,5	0.07	44	0.79
MSD 40 - T2 - 1	0.27	288	1.66
MSD 40 - T2 - 1,5	0.18	200	1.39
MSD 50 - T1 - 1	0.27	363	1.76
MSD 50 - T1 - 1,5	0.18	245	1.48
MSD 50 - T2 - 1	0.3	928	3.63
MSD 50 - T2 - 2	0.15	559	3.06
MSD 63 - T1 - 1	0.34	1041	3.72
MSD 63 - T1 - 2	0.17	616	3.1
MSD 80 - T1 - 1	0.34	1008	3.72
MSD 80 - T1 - 2	0.17	575	3.3
MSD 80 - T2 - 1	0.37	6000	9.3
MSD 80 - T2 - 2	0.18	4145	8.6
MSD 100 - T1 - 1	0.4	6181	9.4

General Data

Designation	No Load Torque (Nm)	Mass Moment of Inertia (10 ⁻⁶ kg m ²)	Mass (kg)
MSD 100 - T1 - 2	0.2	4333	8.8

Dimensions



Designation	B	E	F	G	G2	N	K	L	P
MSD 32 - T0 - 1	max 60	58.5 (±0.5)	52	39	33	6	26	113	32.5
MSD 32 - T1 - 1	max 80	65 (±0.5)	68	42	36	8	31	135	32.5
MSD 32 - T1 - 1,5	max 80	64.5 (±0.5)	68	42	36	8	31	135	32.5
MSD 40 - T1 - 1	max 80	65 (±0.5)	68	46	40	8	31	135	38
MSD 40 - T1 - 1,5	max 80	64.5 (±0.5)	68	46	40	8	31	135	38
MSD 40 - T2 - 1	max 110	82.5 (±0.5)	89	57	51	8	42	174	38
MSD 40 - T2 - 1,5	max 110	81.7 (±0.5)	89	57	51	8	42	174	38
MSD 50 - T1 - 1	max 110	82.5 (±0.5)	89	57	51	8	42	174	46.5
MSD 50 - T1 - 1,5	max 110	81.7 (±0.5)	89	57	51	8	42	174	46.5
MSD 50 - T2 - 1	max 140	120 (±0.5)	116	66	60	10	49.5	239	46.5
MSD 50 - T2 - 2	max 140	125.8 (±0.5)	116	66	60	10	49.5	239	46.5
MSD 63 - T1 - 1	max 140	120 (±0.5)	116	66	60	10	49.5	239	56.5
MSD 63 - T1 - 2	max 140	125.8 (±0.5)	116	66	60	10	49.5	239	56.5
MSD 80 - T1 - 1	max 140	120 (±0.5)	116	77	67	10	49.5	239	72
MSD 80 - T1 - 2	max 140	125.8 (±0.5)	116	77	67	10	49.5	239	72
MSD 80 - T2 - 1	max 195	155 (±0.5)	160	102	94	15	77	317	72
MSD 80 - T2 - 2	max 195	151.6 (±0.5)	160	102	94	15	77	317	72
MSD 100 - T1 - 1	max 195	155 (±0.5)	160	102	94	15	77	317	89
MSD 100 - T1 - 2	max 195	151.6 (±0.5)	160	102	94	15	77	317	89

Designation	M2	C	A	L1 Min. Clamping set	L1 Min. Keyway	L1 max.	ØD Min. Keyway	ØD Max. Keyway	ØD Max. Clamping set
MSD 32 - T0 - 1	Ø M6 × 8.5	max Ø 36	max 52	**	20	32	>8	12	8
MSD 32 - T1 - 1	Ø M6 × 8.5	max Ø 52	max 74	**	25	38	-	-	19
MSD 32 - T1 - 1,5	Ø M6 × 8.5	max Ø 52	max 74	**	25	38	>10	14	10

Dimensions

Designation	M2	C	A	L1 Min. Clamping set	L1 Min. Keyway	L1 max.	ØD Min. Keyway	ØD Max. Keyway	ØD Max. Clamping set
MSD 40 - T1 - 1	Ø M6 × 8.5	max Ø 52	max 74	**	25	42	-	-	19
MSD 40 - T1 - 1,5	Ø M6 × 8.5	max Ø 52	max 74	**	25	42	>10	14	10
MSD 40 - T2 - 1	Ø M6 × 8.5	max Ø 75	max 95	**	30	52	-	-	28
MSD 40 - T2 - 1,5	Ø M6 × 8.5	max Ø 75	max 95	**	30	52	>16	24	16
MSD 50 - T1 - 1	Ø M8 × 9	max Ø 75	max 95	**	30	52	-	-	28
MSD 50 - T1 - 1,5	Ø M8 × 9	max Ø 75	max 95	**	30	52	>16	24	16
MSD 50 - T2 - 1	Ø M8 × 9	max Ø 100	max 122	**	35	62	-	-	35
MSD 50 - T2 - 2	Ø M8 × 9	max Ø 95	max 122	**	35	62	>15	22	15
MSD 63 - T1 - 1	Ø M8 × 10	max Ø 100	max 122	**	35	62	-	-	35
MSD 63 - T1 - 2	Ø M8 × 10	max Ø 95	max 122	**	35	62	>15	22	15
MSD 80 - T1 - 1	Ø M10 × 17	max Ø 100	max 122	**	35	68	-	-	35
MSD 80 - T1 - 2	Ø M10 × 17	max Ø 95	max 122	**	35	68	>15	22	15
MSD 80 - T2 - 1	Ø M10 × 17	max Ø 145	max 160	**	45	99	-	-	40
MSD 80 - T2 - 2	Ø M10 × 17	max Ø 130	max 160	**	45	99	>25.4	38	25.4
MSD 100 - T1 - 1	Ø M10 × 17	max Ø 145	max 160	**	45	99	-	-	40
MSD 100 - T1 - 2	Ø M10 × 17	max Ø 130	max 160	**	45	99	>25.4	38	25.4