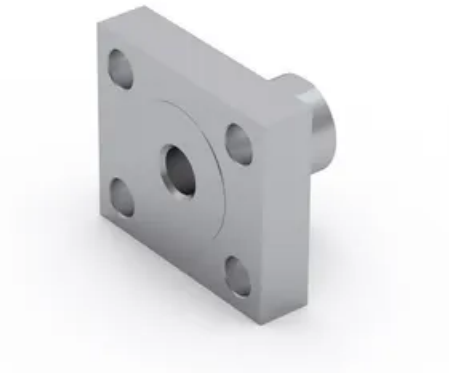


Coupling piece KSZ

Dimensions in mm.

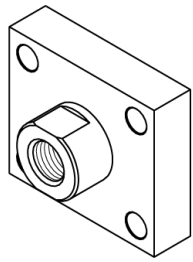
Material: Galvanized steel



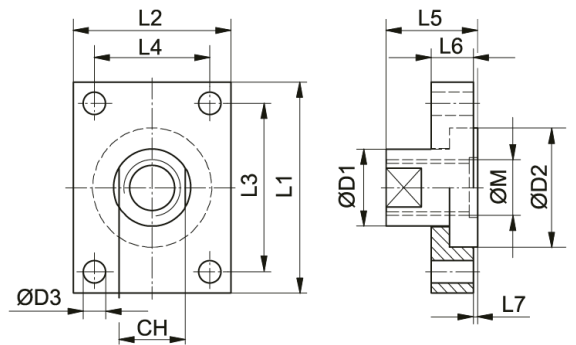
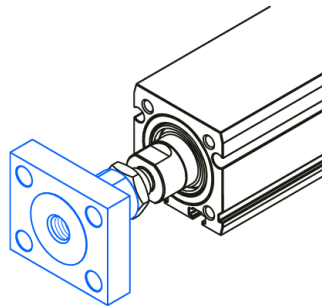
General Data

Designation	Description	Compatible with	Material	Fmax (N)	Mass (kg)
KSZ 25 - 5227	KSZ 25	MCE 25	Galvanized steel	F MCE	0.05
KSZ 32 - 5228	KSZ 32	MCE 32	Galvanized steel	F MCE	0.07
KSZ 45 - 5229	KSZ 45	MCE 45	Galvanized steel	F MCE	0.11

Dimensions



Fixed support



Designation	M	L1	L2	L3	L4	L5	L6	L7	D1
KSZ 25 - 5227	M6	30	25	20	15	16	8	0.1	12 ^{^-0.1}
KSZ 32 - 5228	M8	35	30	25	20	22	8	0.1	14 ^{^-0.1}
KSZ 45 - 5229	M10 × 1.25	40	35	30	25	20	10	0.1	17 ^{^-0.2}

Designation	D2	D3	CH
KSZ 25 - 5227	18	5.5	10
KSZ 32 - 5228	20	5.5	13
KSZ 45 - 5229	26	5.5	15