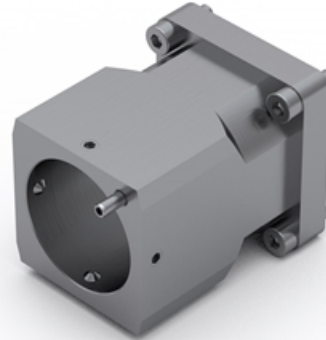


Motor adapter VK

The standard motor adapter VK is made out of one piece. It is important to note when ordering it, that the coupling is included.

Note! If you order a custom motor adapter VK for a non-standard motor the coupling is not included.

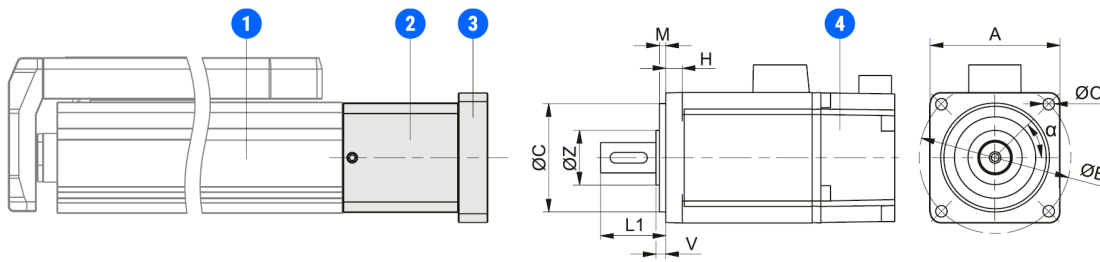


Compatibility of the standard motor adapters VK with the MCE/MSCE and standard motors

Designation	Motor			Motor shaft length		Motor shaft diameter	Motor mounting holes	Mass
	Type	Size □ [mm]	Standard	min	max	[mm]	ØO × H [mm]	
VK 25 - T1 - 108256	Stepper	28	NEMA 11	15	20	5,0	M2,5 × 2,5 (min.)	0,04
VK 32 - T1 - 108257	Stepper	28	NEMA 11	15	20	5,0	M2,5 × 2,5 (min.)	0,06
VK 32 - T2 - 108258	Stepper	42	NEMA 17	20	25	5,0	M3 × 4,5 (min.)	0,09
VK 45 - T1 - 108259	Stepper	42	NEMA 17	20	25	5,0	M3 × 4,5 (min.)	0,14
VK 45 - T2 - 108260	Stepper	56	NEMA 23	20	25	6,35	5 × 10,0 (max.)	0,38

□ = Square cross section

General Data



Coupling is not included.

- 1 - MCE/MSCE
 - 2 - Motor adapter housing
 - 3 - Motor adapter flange
 - 4 - Motor
- } Motor adapter VK

Designation	Compatible with
VK 25 - T1 - 108256	MCE/MSCE 25 / Coupling EKL 2
VK 32 - T1 - 108257	MCE/MSCE 32 / Coupling EKL 2
VK 32 - T2 - 108258	MCE/MSCE 32 / Coupling EKL 2
VK 45 - T1 - 108259	MCE/MSCE 45 / Coupling EKL 5
VK 45 - T2 - 108260	MCE/MSCE 45 / Coupling EKL 5