

Couplings

Dimension in mm.

The maximum transmittable torque of the clamping hub depends on the bore diameter.



Maximum transmittable and drive torque $M_{b,c}$ [Nm] depends on the bore diameter [mm]

Designation	Ø3	Ø4	Ø5	Ø8	Ø10	Ø12,7
EKL 2	0,2	0,8	1,5	2,5	-	-
EKL 5	-	1,5	2	8	8	10

Maximum transmittable and drive torque $M_{b,c}$ [Nm] limited to the size of the MCE/MSCE

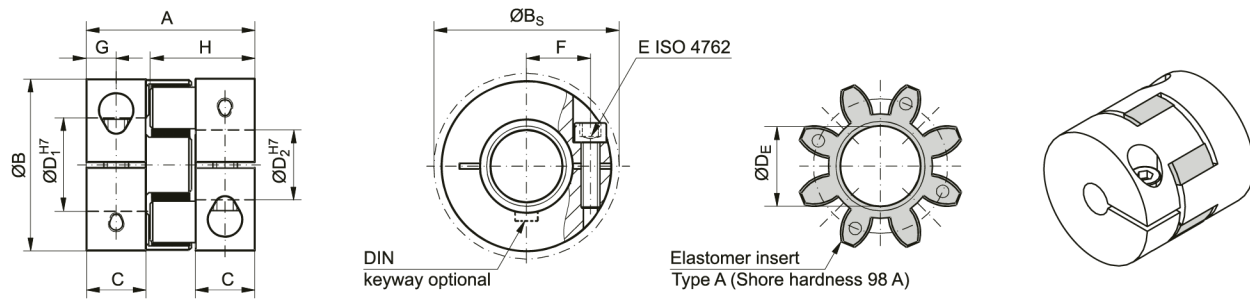
Designation	MCE/MSCE		
	25	32	45
EKL 2	0,1	0,53	-
EKL 5	-	-	1,23

General Data

Designation	Compatible with	Moment of inertia per hub (10^{-3} kg m ²)	Speed standard (min ⁻¹)	Max. Torque (Nm)	Rated Torque (Nm)
EKL 2	MCE/MSCE series	0.0003	15000	4	2
EKL 5	MCE/MSCE 45	0.002	15000	18	9

Designation	Tightening Torque of the Clamping Screw (Nm)	Weight (kg)
EKL 2	0.6	≈ 0.008
EKL 5	2	≈ 0.02

Dimensions



Designation	A	B	D1	D2	E	F	G	C	H
EKL 2	20	16	3	8	M2	5.5	3	6	12
EKL 5	26	25	4	12.7	M3	8	4	8	16.7

Designation	BS	DE
EKL 2	17	6.2
EKL 5	25	10.2