

## Table of contents

- **5030 - 100% Extension**
- **5040 - 100% Extension**
- **5040 - 140% Extension**
- **210 Non Lock - 100% Extension**
- **220 (Left) & 230 (Right) Lock in / Lock out - 100% Extension**
- **410 - 100% Extension**
- **3045 - 100% Extension**
- **3080 - 100% Extension**
- **3560 - 100% Extension**
- **RA Grease**

## 5030 - 100% Extension

An all steel 3 beam slide extending up to 100%. Carrying loads up to 190 kg per pair. The 5030 offers strength and durability in a compact envelope. Standard lengths 300 to 1000 mm in 50 mm increments.

All dimensions in mm.

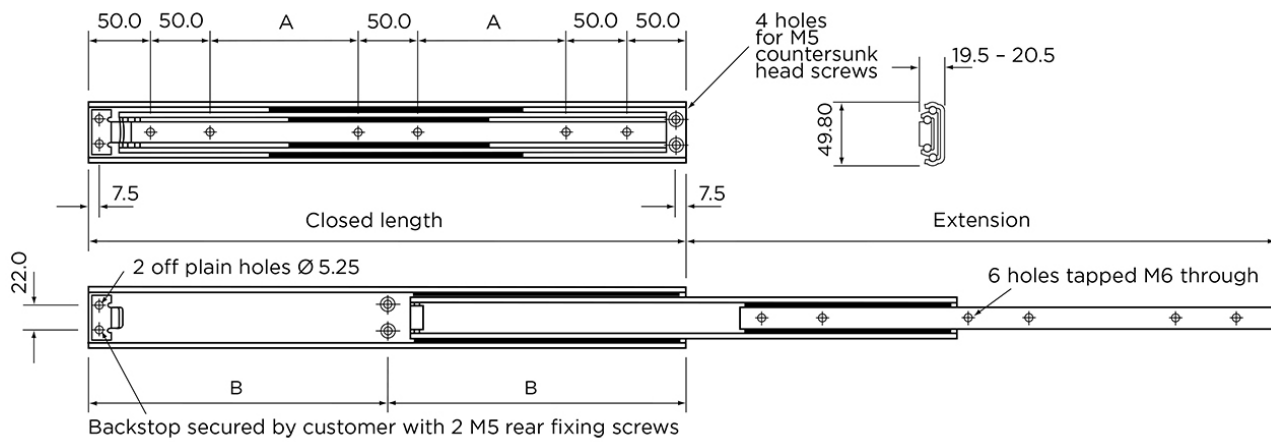
System Load Capacity value refers to a pair of rails at full extension.

\* Outer beam: 2 holes in both ends.

**Extension:** 100%

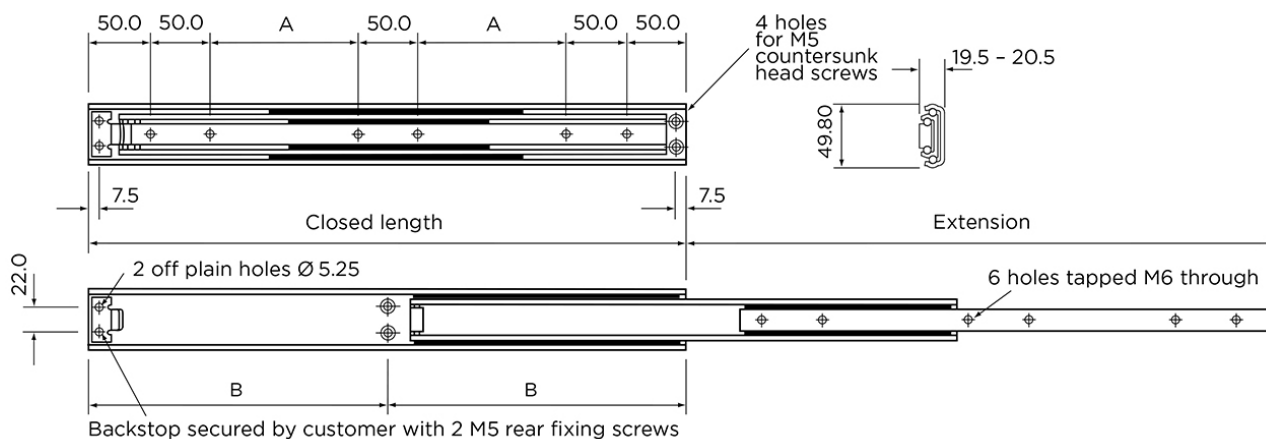


## General Data



Designation	Closed Length	Extension Length	System Load Capacity (N)	Number of Fixing Holes
5030-300	300	300	1900	4
5030-350	350	350	1830	6
5030-400	400	400	1750	6
5030-450	450	450	1650	6
5030-500	500	500	1550	6
5030-550	550	550	1450	6
5030-600	600	600	1370	6
5030-650	650	650	1250	6
5030-700	700	700	1180	6
5030-750	750	750	1050	6
5030-800	800	800	950	6
5030-850	850	850	830	6
5030-900	900	900	720	6
5030-950	950	950	600	6
5030-1000	1000	1000	500	6

## Dimensions



Designation	A	B
5030-300	*	150
5030-350	50	175
5030-400	75	200
5030-450	100	225
5030-500	125	250
5030-550	150	275
5030-600	175	300
5030-650	200	325
5030-700	225	350
5030-750	250	375
5030-800	275	400
5030-850	300	425
5030-900	325	450
5030-950	350	475
5030-1000	375	500

## 5040 - 100% Extension

The 5040 is a 4 beam version of the 5030. The 5040 100% extension can carry up to 260 kg per pair. Standard lengths 300 to 1000 mm in 50 mm increments.

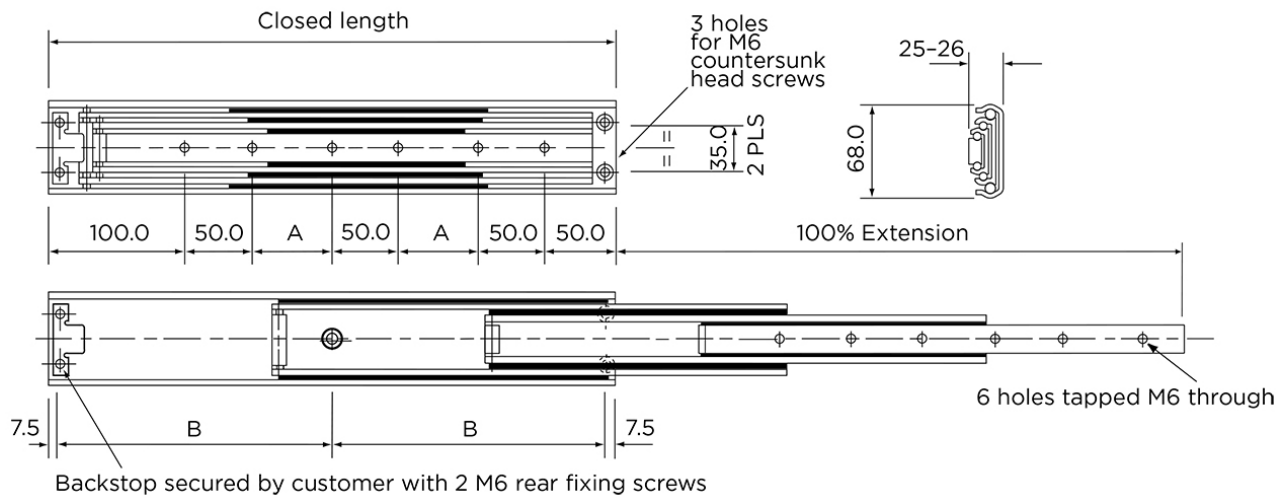
All dimensions in mm.

System Load Capacity value refers to a pair of rails at full extension.

**Extension:** 100%

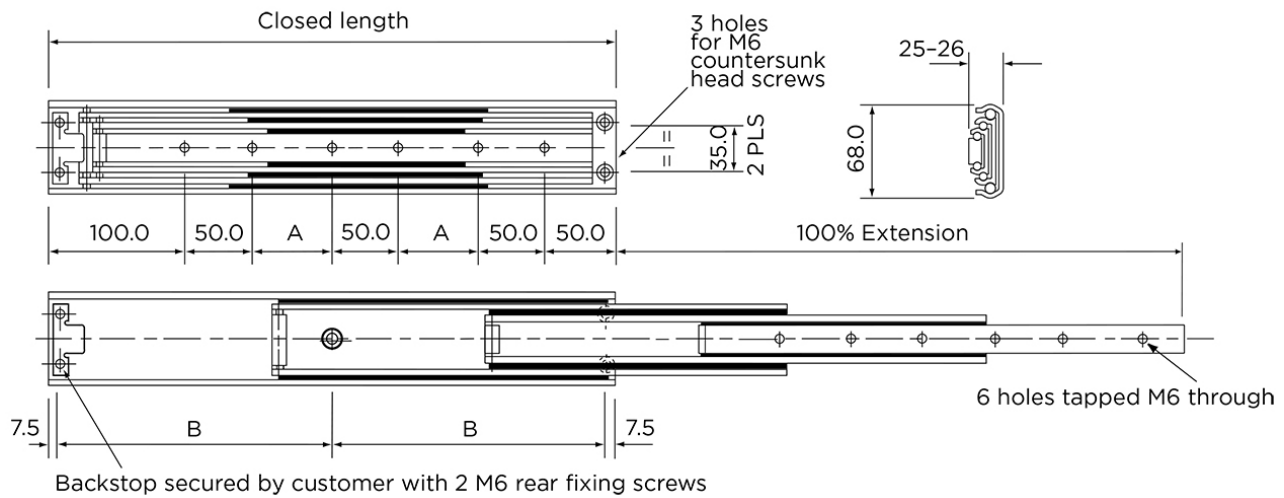


## General Data



Designation	Closed Length	Extension Length	System Load Capacity (N)	Number of Fixing Holes
5040-300 100%	300	300	2600	4
5040-350 100%	350	350	2570	6
5040-400 100%	400	400	2450	6
5040-450 100%	450	450	2380	6
5040-500 100%	500	500	2300	6
5040-550 100%	550	550	2200	6
5040-600 100%	600	600	2100	6
5040-650 100%	650	650	2000	6
5040-700 100%	700	700	1950	6
5040-750 100%	750	750	1820	6
5040-800 100%	800	800	1780	6
5040-850 100%	850	850	1680	6
5040-900 100%	900	900	1600	6
5040-950 100%	950	950	1500	6
5040-1000 100%	1000	1000	1400	6

## Dimensions



Designation	A	B
5040-300 100%	50	142.5
5040-350 100%	25	167.5
5040-400 100%	50	192.5
5040-450 100%	75	217.5
5040-500 100%	100	242.5
5040-550 100%	125	267.5
5040-600 100%	150	292.5
5040-650 100%	175	317.5
5040-700 100%	200	342.5
5040-750 100%	225	367.5
5040-800 100%	250	392.5
5040-850 100%	275	417.5
5040-900 100%	300	442.5
5040-950 100%	325	467.5
5040-1000 100%	350	492.5

## 5040 - 140% Extension

The 5040 is a 4 beam version of the 5030. The main feature of this slide is the capability to extend up to 140% enabling full access to the rear of the equipment. Carrying loads up to 170 kg per pair. Standard lengths 300 to 1000 mm in 50 mm increments.

All dimensions in mm.

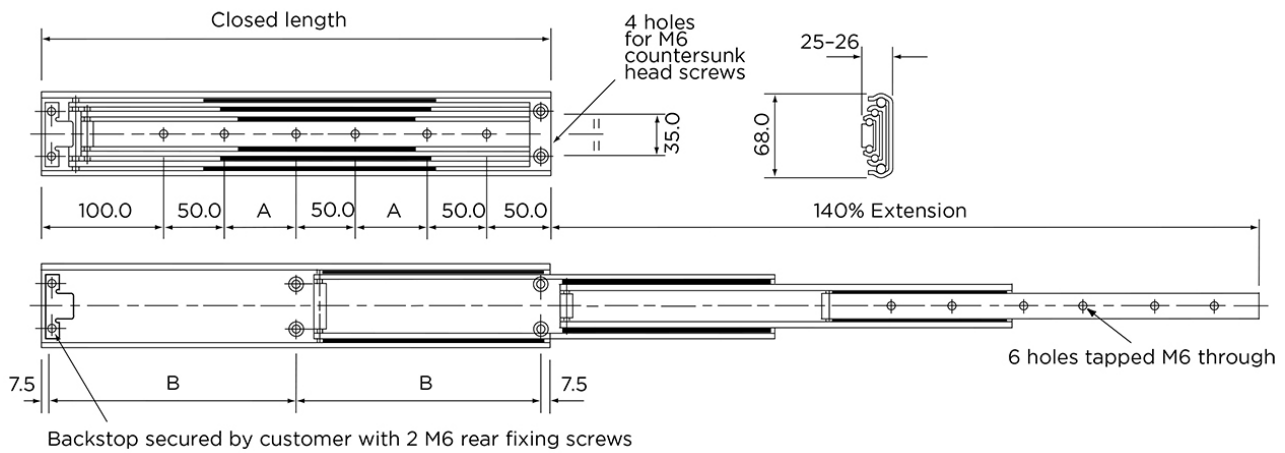
System Load Capacity value refers to a pair of rails at full extension.

**Extension:** 140%



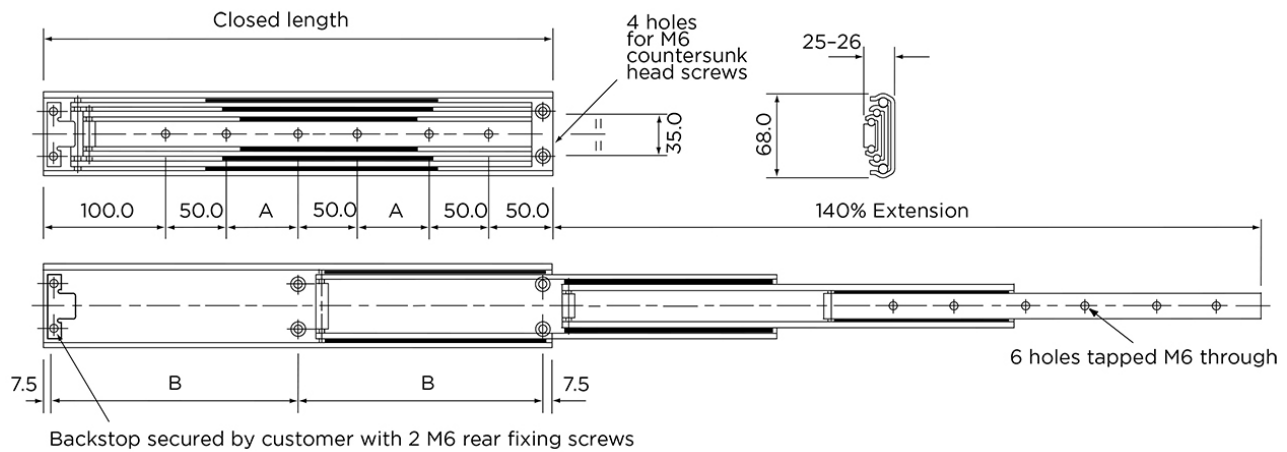


## General Data



Designation	Closed Length	Extension Length	System Load Capacity (N)	Number of Fixing Holes
5040-300 140%	300	420	1700	4
5040-350 140%	350	490	1700	6
5040-400 140%	400	560	1680	6
5040-450 140%	450	630	1630	6
5040-500 140%	500	700	1600	6
5040-550 140%	550	770	1580	6
5040-600 140%	600	840	1560	6
5040-650 140%	650	910	1400	6
5040-700 140%	700	980	1300	6
5040-750 140%	750	1050	1200	6
5040-800 140%	800	1120	1180	6
5040-850 140%	850	1190	1100	6
5040-900 140%	900	1260	1000	6
5040-950 140%	950	1330	900	6
5040-1000 140%	1000	1400	800	6

## Dimensions



Designation	A	B
5040-300 140%	50	142.5
5040-350 140%	25	167.5
5040-400 140%	50	192.5
5040-450 140%	75	217.5
5040-500 140%	100	242.5
5040-550 140%	125	267.5
5040-600 140%	150	292.5
5040-650 140%	175	317.5
5040-700 140%	200	342.5
5040-750 140%	225	367.5
5040-800 140%	250	392.5
5040-850 140%	275	417.5
5040-900 140%	300	442.5
5040-950 140%	325	467.5
5040-1000 140%	350	492.5

## 210 Non Lock - 100% Extension

A precision ball bearing slide with smooth movement combined with good load carrying capacity. All aluminium slide.

A row of ball bearings in each track, concealed in nylon cages, ensures smooth and easy operation. Carrying loads up to 90 kg per pair.

Standard lengths 300 to 600 mm in 50 mm increments.

All dimensions in mm.

System Load Capacity value refers to a pair of rails at full extension.

Note 1: 15 mm dia. holes in centre beam allow easy access to fixing holes. M5 countersunk head screws to BS4183 are recommended for fixing.

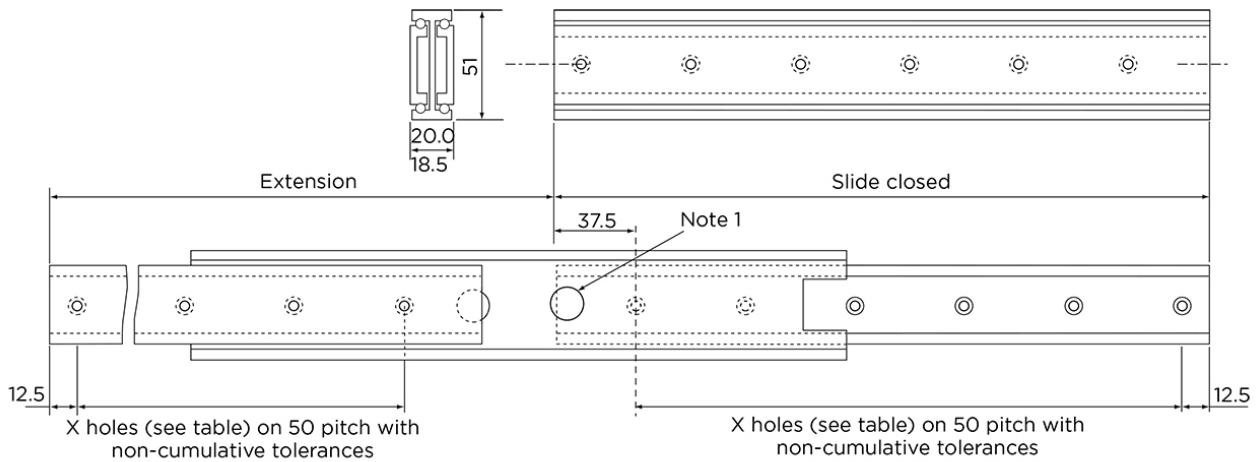
Note 2: Elongated holes should be provided in either the framework or chassis to give adjustment if it is necessary for the panel to fit tight against the framework.

**Material:** Aluminium with steel ball bearings, Standard anodizing finish silver

**Extension:** 100%



## General Data



Note 1: 15 mm dia. holes in centre beam allow easy access to fixing holes. M5 countersunk head screws to BS4183 are recommended for fixing.

Note 2: Elongated holes should be provided in either the framework or chassis to give adjustment if it is necessary for the panel to fit tight against the framework.

Designation	Closed Length	Extension Length	System Load Capacity (N)	Number of Fixing Holes	Weight/pc (kg)
<b>210-300</b>	300	330	550	6	0.46
<b>210-350</b>	350	380	620	7	0.53
<b>210-400</b>	400	430	710	8	0.62
<b>210-450</b>	450	480	780	9	0.705
<b>210-500</b>	500	530	840	10	0.78
<b>210-550</b>	550	580	880	11	0.86
<b>210-600</b>	600	630	900	12	0.94

## 220 (Left) & 230 (Right) Lock in / Lock out - 100% Extension

The 220 (LH) & 230 (RH) are a pair of precision ball bearing slides with a complete integrated locking system. Automatically locked when the slide is fully extended and when fully closed. Slide smoothly and easily due to a row of ball bearings held in a nylon cage in each track. All aluminium slide. Carrying loads up to 90 kg per pair. Standard lengths 300 to 600 mm in 50 mm increments.



All dimensions in mm.

System Load Capacity value refers to a pair of rails.

Note 1: 15 mm dia. holes in centre allow easy access to fixing holes. M5 countersunk head screws to BS4183 are recommended for fixing.

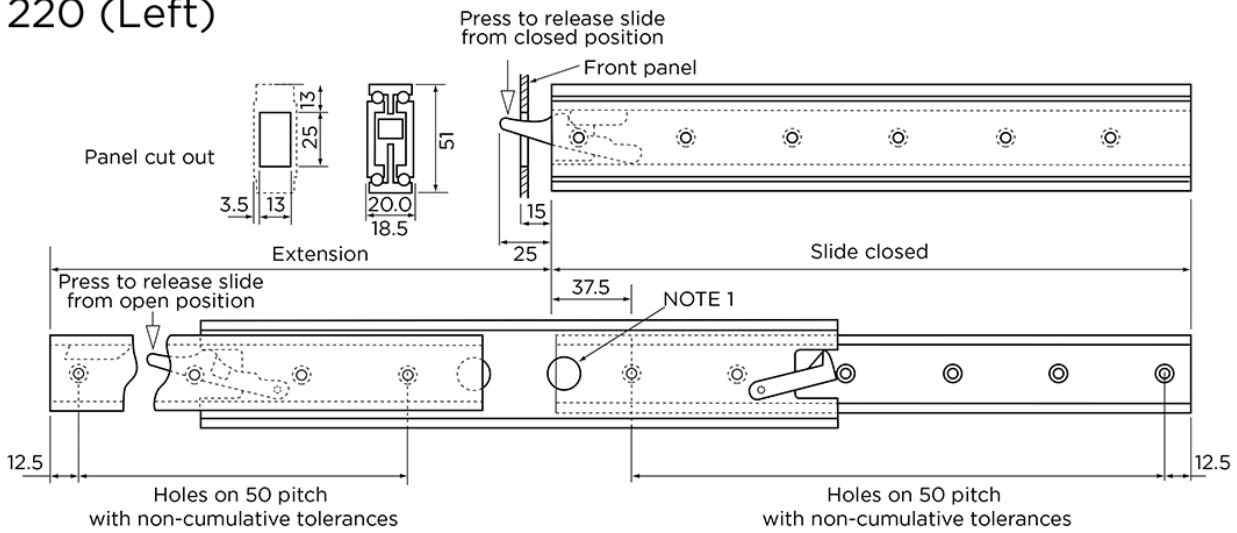
Note 2: Elongated holes should be provided in either the framework or chassis to give adjustment if it is necessary for the panel to fit tight against the framework.

**Material:** Aluminium with steel ball bearings, Standard anodizing finish silver

**Extension:** 100%

## General Data

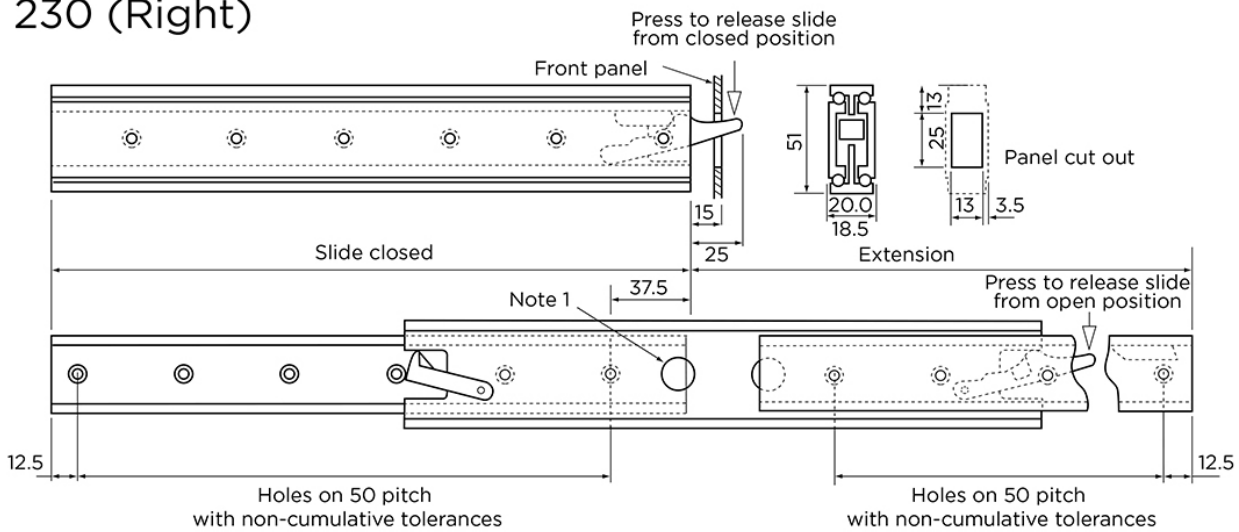
### 220 (Left)



Note 1: 15 mm dia. holes in centre allow easy access to fixing holes. M5 countersunk head screws to BS4183 are recommended for fixing.

Note 2: Elongated holes should be provided in either the framework or chassis to give adjustment if it is necessary for the panel to fit tight against the framework.

### 230 (Right)



Note 1: 15 mm dia. holes in centre allow easy access to fixing holes. M5 countersunk head screws to BS4183 are recommended for fixing.

Note 2: Elongated holes should be provided in either the framework or chassis to give adjustment if it is necessary for the panel to fit tight against the framework.

Designation	Closed Length	Extension Length	System Load Capacity (N)	Number of Fixing Holes	Remark
220-300	300	330	550	6	Left
220-350	350	380	620	7	Left
220-400	400	430	710	8	Left
220-450	450	480	780	9	Left
220-500	500	530	840	10	Left
220-550	550	580	880	11	Left
220-600	600	630	900	12	Left

## General Data

Designation	Closed Length	Extension Length	System Load Capacity (N)	Number of Fixing Holes	Remark
230-300	300	330	550	6	Right
230-350	350	380	620	7	Right
230-400	400	430	710	8	Right
230-450	450	480	780	9	Right
230-500	500	530	840	10	Right
230-550	550	580	880	11	Right
230-600	600	630	900	12	Right

Designation	Weight/pc (kg)
220-300	0.52
220-350	0.60
220-400	0.68
220-450	0.74
220-500	0.83
220-550	0.90
220-600	0.98
230-300	0.52
230-350	0.60
230-400	0.68
230-450	0.74
230-500	0.83
230-550	0.90
230-600	0.98

## 410 - 100% Extension

An all aluminium 3 beam slide extending up to 100%.  
Carrying loads up to 340 kg per pair.  
Standard lengths 300 to 1000 mm in 50 mm increments.  
Lightweight Slide 6,5 kg/meter per pair with a compact profile. 70% lighter than comparable steel slides.

All dimensions in mm.

System Load Capacity value refers to a pair of rails.

Note: 18 mm dia. holes in centre beam allow easy access to fixing holes. M8 countersunk head screws to BS4183 are recommended for fixing.

\* Some variants are only available on request. See table below.

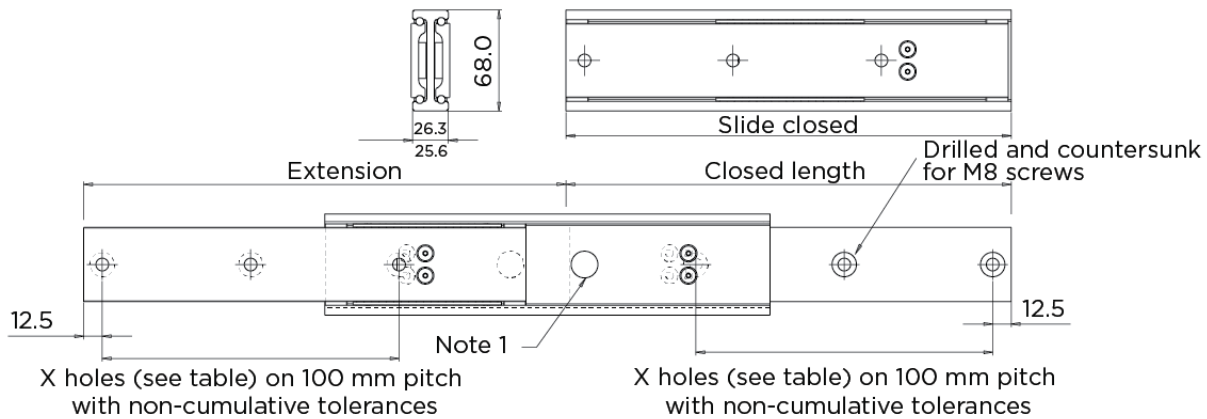
**Material:** Aluminium with polymer ball bearings, standard anodizing finish silver

**Extension:** 100%





## General Data



Note: 18 mm dia. holes in centre beam allow easy access to fixing holes.  
M8 countersunk head screws to BS4183 are recommended for fixing.

Designation	Closed Length	Extension Length	System Load Capacity (N)	Number of Fixing Holes	Weight/pc (kg)
410-300	300	325	2900	3	0.975
410-350*	350	375	3000	4	1.1375
410-400	400	425	3100	4	1.3
410-450*	450	475	3200	5	1.46
410-500	500	525	3300	5	1.625
410-550*	550	575	3400	6	1.787
410-600	600	625	3400	6	1.95
410-650*	650	675	3300	7	2.113
410-700	700	725	3200	7	2.275
410-750*	750	775	3100	8	2.437
410-800	800	825	3000	8	2.6
410-850*	850	875	3000	9	2.763
410-900	900	925	2800	9	2.925
410-950*	950	975	2700	10	3.088
410-1000	1000	1025	2500	10	3.25

## 3045 - 100% Extension

Closed Length  $\pm 0.5$  mm  
Extension length  $\pm 3$  mm  
F  $\pm 0.5$  mm

Recommended fastening screws ISO 7380 M4 sliding element, ISO7380 M5 bottom element. If use of other fastening screw for bottom element use max size M5 and make sure the head of the screw fits inside the guide.

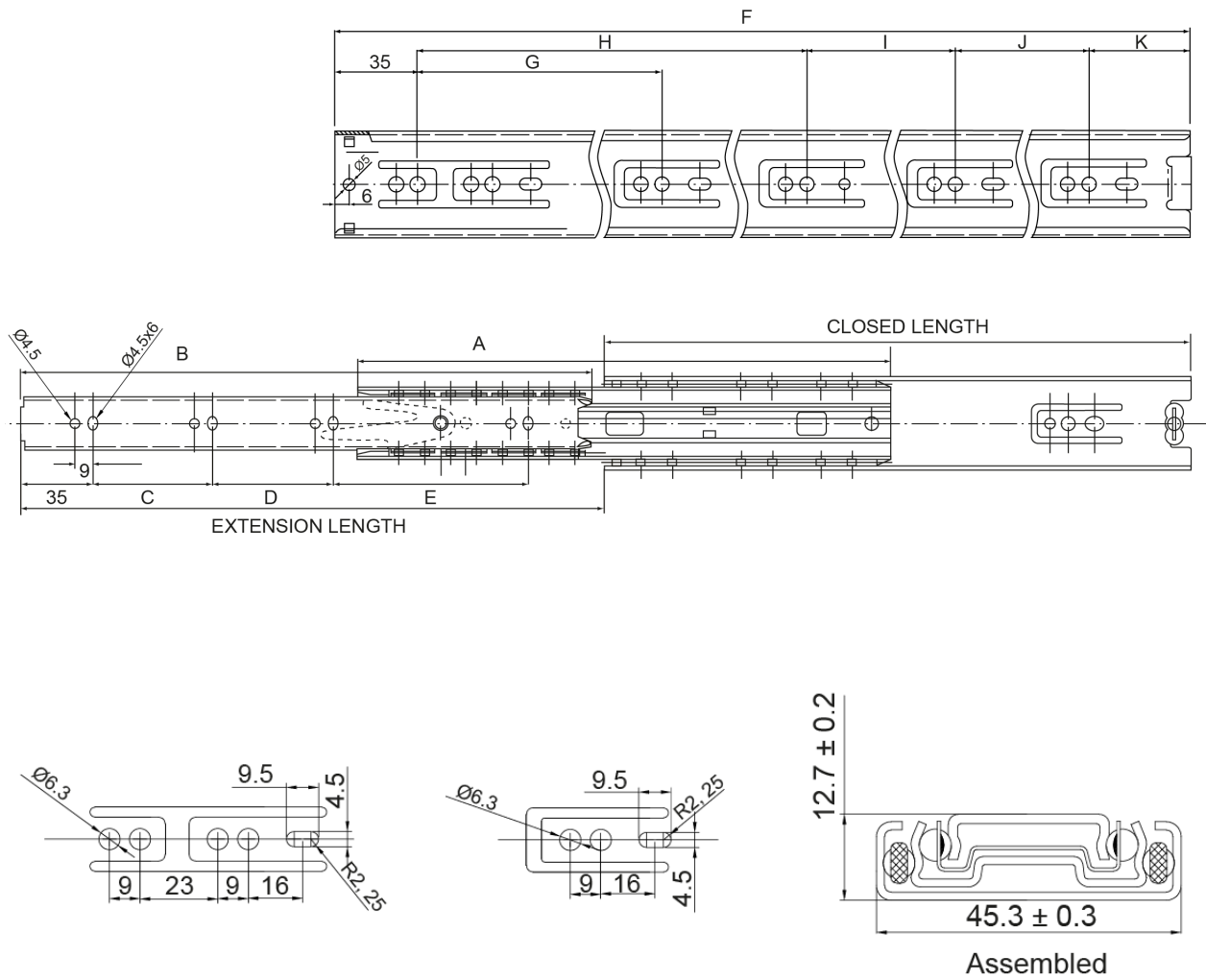
\*Inner rail can be demounted to facilitate assembly or maintenance. It is important that the rail is remounted only on its original telescopic slide.

System Load Capacity value refers to a pair of rails.  
All dimensions in mm.

**Extension:** 100%

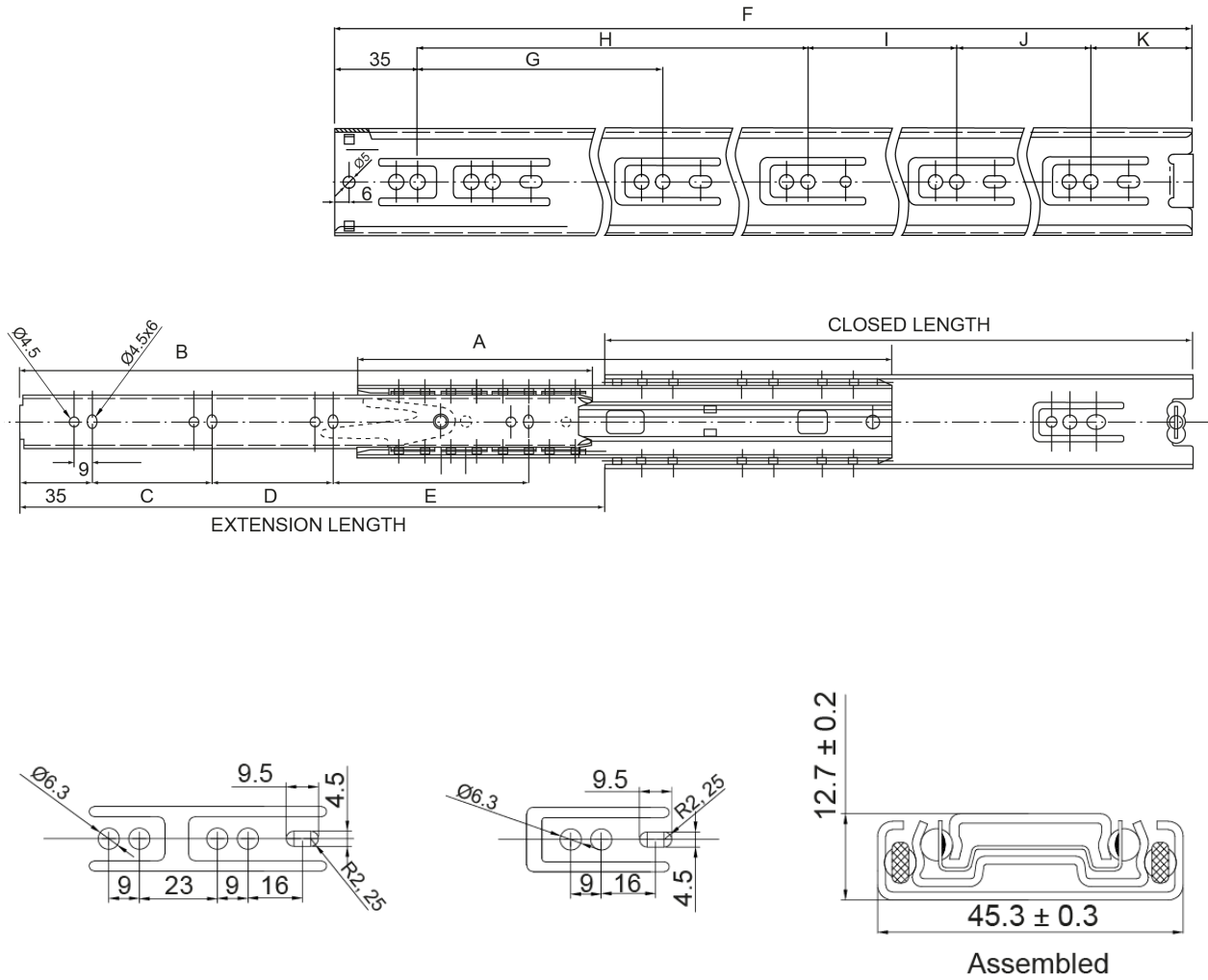


## General Data



Designation	Closed Length	Extension Length	System Load Capacity (N)
3045-250	250	254	450
3045-300	300	305	450
3045-350	350	356	450
3045-400	400	406	450
3045-450	450	457	450
3045-500	500	508	400
3045-550	550	558	360
3045-600	600	609	320
3045-650	650	660	290
3045-700	700	711	260

## Dimensions



Designation	A	B	C	D	E	F	G	H	I
3045-250	234	248	96	96	-	250	160	-	-
3045-300	284	297	96	128	-	300	128	192	-
3045-350	334	347	96	64	96	350	128	224	-
3045-400	384	398	96	64	128	400	128	224	96
3045-450	434	448	96	96	160	450	128	224	128
3045-500	484	498	96	96	192	500	128	224	128
3045-550	534	547	96	128	224	550	128	224	128
3045-600	584	597	96	160	224	600	128	224	128
3045-650	634	647	96	160	256	650	128	224	128
3045-700	684	697	96	192	256	700	128	224	128

## Dimensions

Designation	J	K
3045-250	-	55
3045-300	-	73
3045-350	-	91
3045-400	-	45
3045-450	-	63
3045-500	64	49
3045-550	96	67
3045-600	128	85
3045-650	192	71
3045-700	224	89

## 3080 - 100% Extension

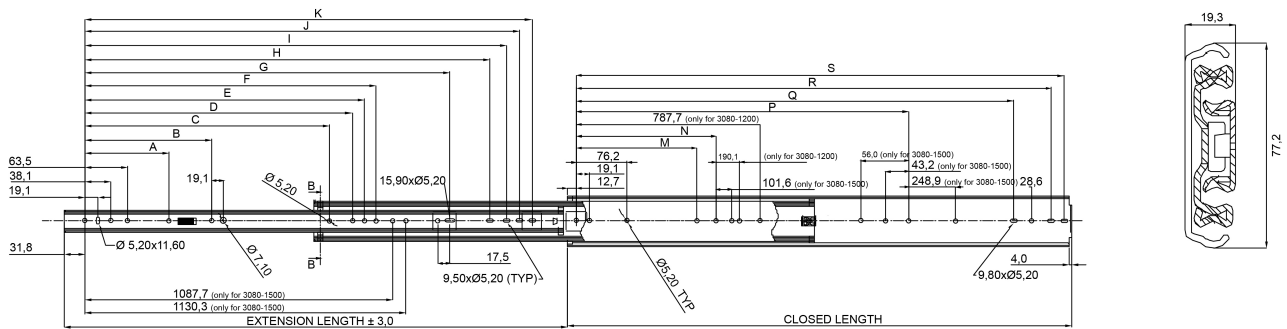
All dimensions in mm.

System Load Capacity value refers to a pair of rails.

**Extension:** 100%

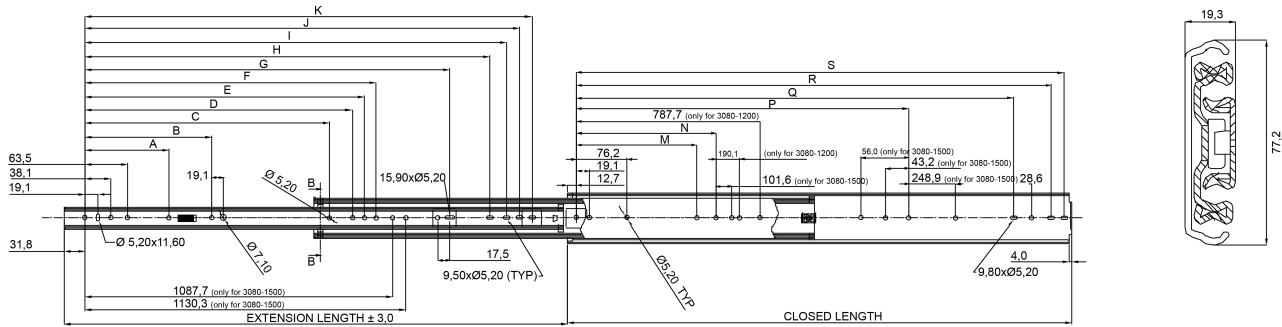


## General Data



Designation	Closed Length	Extension Length	System Load Capacity (N)
3080-300	304	304	1780
3080-400	406	406	1780
3080-500	508	508	1780
3080-600	609	609	1690
3080-700	711	711	1600
3080-800	812	812	1510
3080-900	914	914	1420
3080-1000	1016	1016	1330
3080-1100	1117	1117	1240
3080-1200	1219	1219	1150
3080-1300	1320	1320	1060
3080-1400	1422	1422	1020
3080-1500	1524	1524	890

## Dimensions



Designation	A	B	C	D	E	F	G	H	I
3080-300	-	-	-	-	-	-	-	154	179.4
3080-400	127	-	-	-	-	-	-	255.6	281
3080-500	127	190.5	-	-	-	-	296.9	357.2	382.6
3080-600	127	190.5	-	-	-	-	398.5	458.8	484.2
3080-700	127	190.5	-	-	-	-	500.1	560.4	585.8
3080-800	127	190.5	368.3	-	-	-	601.7	662	687.4
3080-900	127	190.5	368.3	520.7	-	-	703.3	763.6	789
3080-1000	127	190.5	368.3	622.3	-	-	804.9	865.2	890.6
3080-1100	127	190.5	368.3	723.9	-	825.5	906.5	966.8	992.2
3080-1200	127	190.5	368.3	723.9	763.7	825.5	1004.7	1068.4	1093.8
3080-1300	127	190.5	368.3	774.7	-	825.5	1109.7	1170	1195.4
3080-1400	127	190.5	368.3	774.7	-	825.5	1211.3	1271.6	1297
3080-1500	127	190.5	368.3	622.3	774.7	825.5	1309.5	1373.2	1398.6

Designation	J	K	M	N	P	Q	R	S
3080-300	198.4	217.4	-	-	-	203.2	260.4	279.4
3080-400	299.9	319	-	-	-	304.8	361.9	381
3080-500	401.6	420.6	-	-	-	406.4	463.6	482.6
3080-600	503.2	522.2	-	-	-	508	565.2	584.2
3080-700	604.8	623.8	-	-	-	609.6	666.8	685.8
3080-800	706.4	725.4	234.9	393.7	552.5	711.2	768.4	787.4
3080-900	807.9	827	234.9	444.5	654.1	812.8	870	889
3080-1000	909.6	928.6	234.9	495.3	755.7	914.4	971.6	990.8
3080-1100	1011.2	1030.2	234.9	546.1	857.3	1016	1073.2	1092.2
3080-1200	1112.8	1131.8	234.9	406.8	958.8	1117.6	1174.8	1193.8
3080-1300	1214.4	1233.4	234.9	596.9	958.8	1219.2	1276.4	1295.4
3080-1400	1316	1335	234.9	596.9	958.8	1320.8	1378	1397
3080-1500	1417.6	1436.6	234.9	495.3	1014.8	1422.4	1479.6	1498.6



## 3560 - 100% Extension

All dimensions in mm.

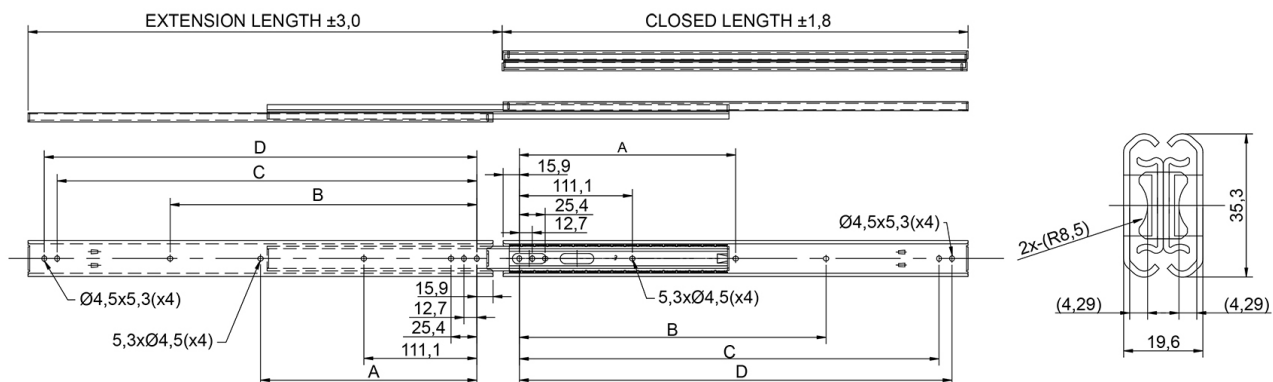
System Load Capacity value refers to a pair of rails.

**Material:** Slide members and component parts - stainless SUS304. Balls - SUS304.

**Extension:** 100%

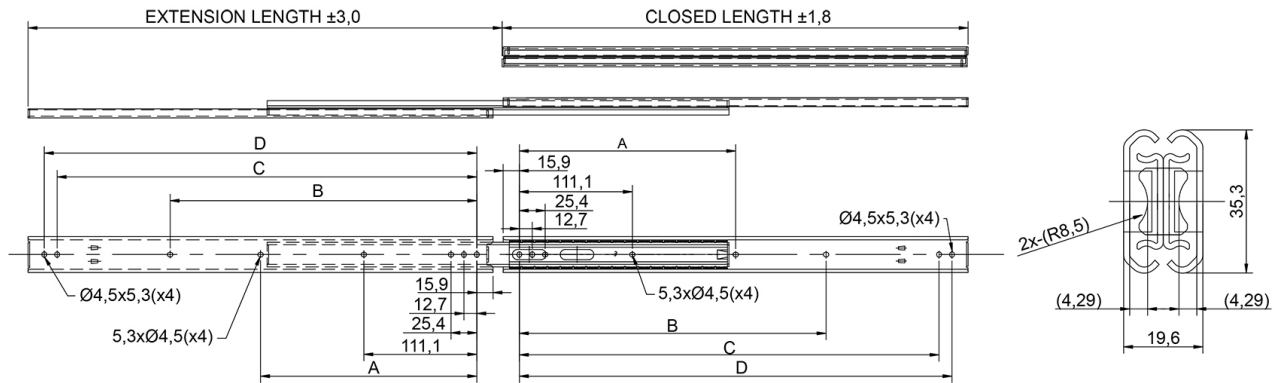


## General Data



Designation	Closed Length	Extension Length	System Load Capacity (N)
<b>3560-250</b>	254	264	600
<b>3560-300</b>	304.8	314.8	600
<b>3560-350</b>	355.6	365.6	600
<b>3560-400</b>	406.4	416.4	600
<b>3560-450</b>	457.2	467.2	600
<b>3560-500</b>	508	518	600
<b>3560-550</b>	558.8	568.8	500
<b>3560-600</b>	609.6	619.6	450
<b>3560-650</b>	660.4	670.4	400
<b>3560-700</b>	711.2	721.2	320

## Dimensions



Designation	A	B	C	D
3560-250	-	-	209.5	222.2
3560-300	-	149.2	260.3	273.0
3560-350	-	200.0	311.1	323.8
3560-400	-	250.8	361.9	374.6
3560-450	212.7	301.6	412.7	425.4
3560-500	238.1	352.4	463.5	476.2
3560-550	263.5	403.2	514.3	527.0
3560-600	288.9	454.0	565.1	577.8
3560-650	314.3	504.8	615.9	628.6
3560-700	339.7	555.6	666.7	679.4

## RA Grease

NLGI grade 1.5

Clear grease based on synthetic oils and PTFE. Will fulfil all severe specifications from bearing manufacturers, industrial applications and vehicle producers. Very suitable for use where long service life is required and desired. The specific rheological properties of the lubricant will give very low good flow properties of the grease at extremely low temperatures, at the same time the high film strength and thickness will guarantee lubrication also at elevated temperatures. The type of PTFE used will adhere strongly to all surfaces lubricated and give a very low friction coefficient. The grease is water resistant, withstands oxidation, has very good mechanical stability, is completely non-toxic and provides a very wide application temperature range.

**Temperature:** -40 to +260 °C (application range)



## General Data

Designation	Remark	Colour	Weight (g)
RA Grease NLGI 1.5	Cartridge package	Translucent white	400 g