

Table of contents

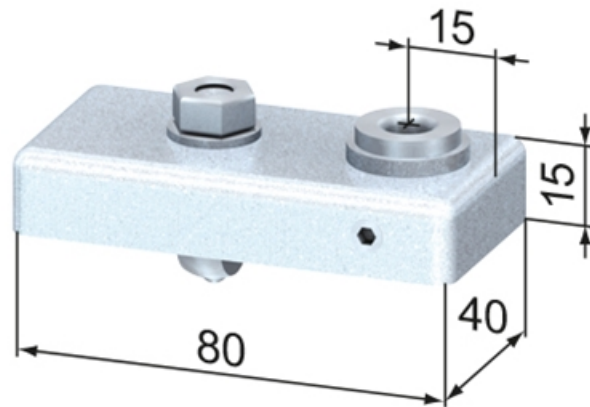
- **Drill Jig**
- **Short Step Drills**
- **Spiral Drills**

Drill Jig

Application:
Used for positioning the hole for the central fastener housing.

Material: Steel, zinc-plated. Drill bush hardened and ground.

System: 40 - Slot 8



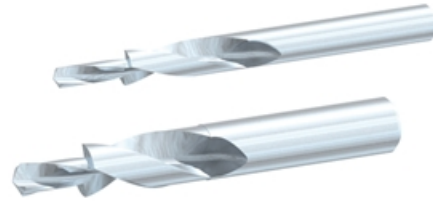
SZ6000V

General Data

Designation	Description	Drill hole	Weight (g)
SZ6000V	Drill Jig 40	Ø12	382

Short Step Drills

System: 40 - Slot 8; 30 - Slot 6; 20 - Slot 5



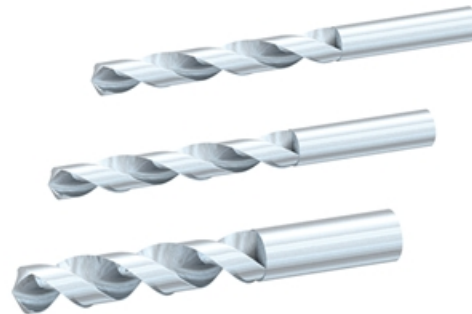
General Data

Designation	Description
SZ6205S	Short Step Drill 180° M 5 (Ø 5,7 / 10 mm)
SZ6206S	Short Step Drill 180° M 6 (Ø 6,8 / 11 mm)
SZ6208S	Short Step Drill 180° M 8 (Ø 8,4 / 15 mm)

Spiral Drills

Application:
For drilling profiles.

System: 40 - Slot 8; 30 - Slot 6; 20 - Slot 5



General Data

Designation	Description
SZ6280S	Spiral Drill Ø 8
SZ6285S	Spiral Drill Ø 8,5
SZ6320S	Spiral Drill Ø 12