

## Polyamide Light Roller with Flange PSAS ---.6200

- Polyamide roller combined – fixed axial roller with higher load capacity
- Lubricated for lifetime
- High abrasion resistance
- Low friction
- High chemical resistance to alcohol, salts, greases and certain acids and alkalis in diluted concentration.

Reduction of value by speed of:

1 m/sec: 0%

2 m/sec: -20%

3 m/sec: -30%

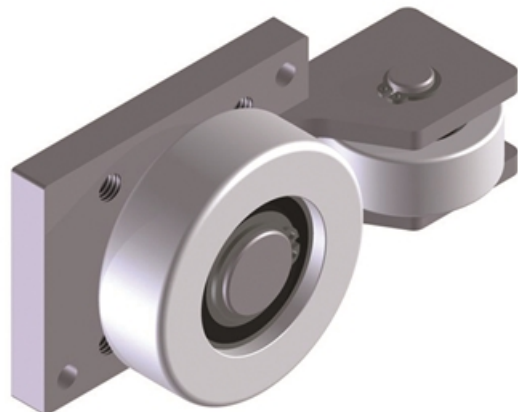
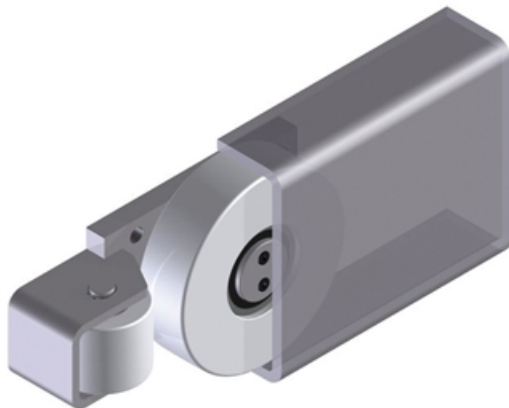
Use profile UP---.0730

Order example: Roller + fixing plate PAS040.0360/BQ1000  
Roller Ø 40 mm - welded with mounting element 50 mm x 50 mm x 8 mm

Dimensions in mm.

**Temperature:** Maximum working temperature 80° C

**Speed:** Travel speed up to 5 m/sec



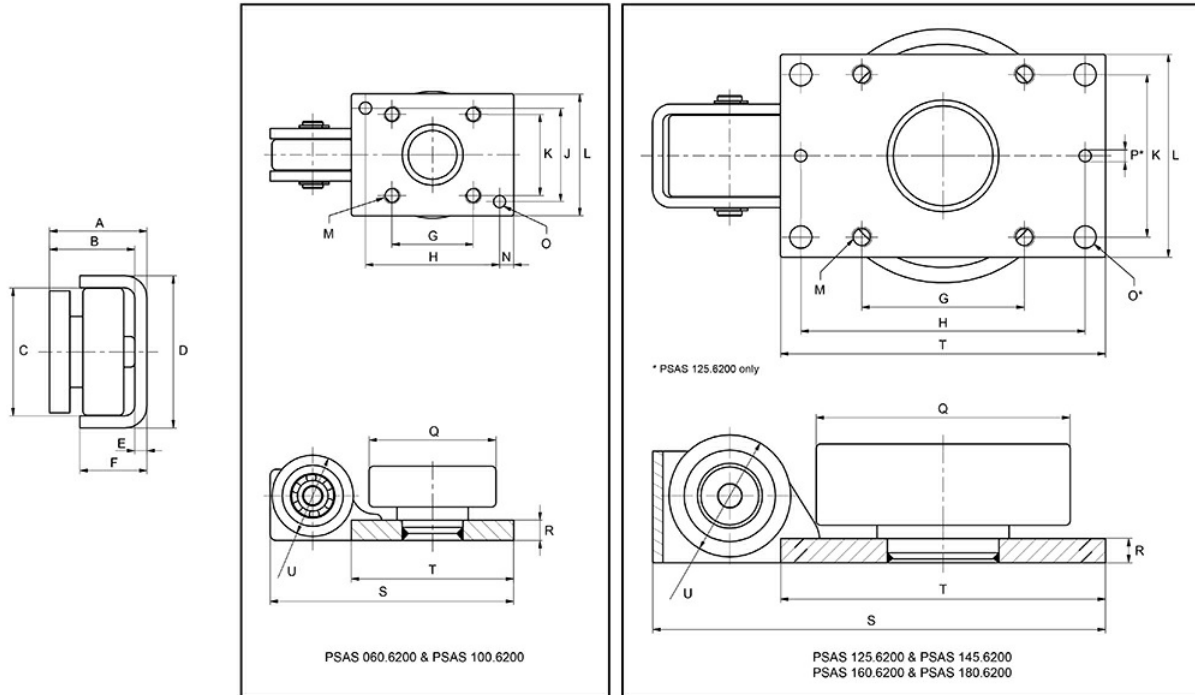
## Polyamide Light Roller with Flange PSAS ---.6200



## Variant Data

Designation	System Load Capacity Radial	System Load Capacity Axial
PSAS060.6200	1500 N	900 N
PSAS100.6200	2500 N	1800 N
PSAS125.6200	6000 N	2500 N
PSAS145.6200	8000 N	5000 N
PSAS160.6200	10000 N	5000 N
PSAS180.6200	15000 N	6500 N

## Variant Measurements

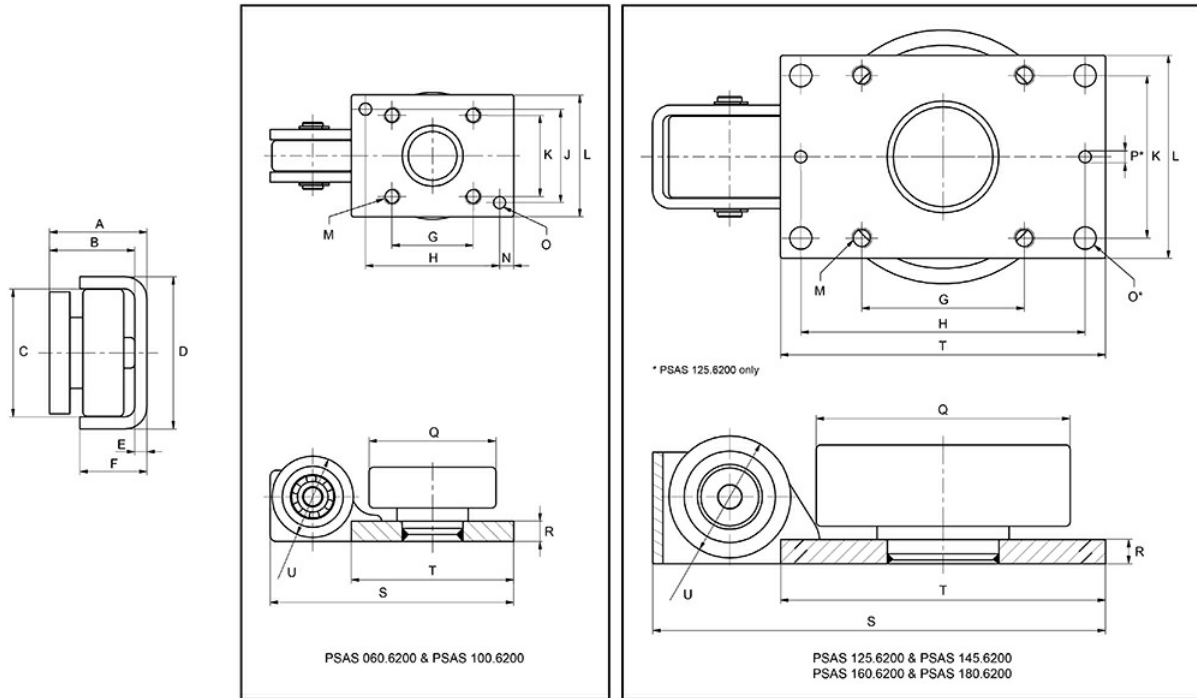


Designation	A	B	C	D	E	F	G	H	J
PSAS060.6200	48	42	63	75	6	33	40	66	46
PSAS100.6200	57	51	102	114	6	40	80	105	80
PSAS125.6200	71	63	126	142	8	56	80	140	—
PSAS145.6200	96	88	146	162	8	65	130	—	—
PSAS160.6200	96	88	159	175	8	73	140	—	—
PSAS180.6200	98	88	180	200	10	70	160	—	—

Designation	K	L	M	N	O	P	Q	R	S	T
PSAS060.6200	40	60	4 x M8	7	2 x Ø6	—	62,50	10	120	80
PSAS100.6200	80	100	4 x M10	7,50	2 x Ø6	—	101,20	10	160	120
PSAS125.6200	80	100	4 x M10	—	4 x Ø11	2 x Ø6	125	12	223	160
PSAS145.6200	90	120	4 x M16	—	—	—	145	20	263	180
PSAS160.6200	90	120	4 x M16	—	—	—	158	20	273	190
PSAS180.6200	90	120	4 x M16	—	—	—	179	20	295	210

Designation	U
PSAS060.6200	40
PSAS100.6200	40
PSAS125.6200	60
PSAS145.6200	80

### Variant Measurements



Designation	U
PSAS160.6200	80
PSAS180.6200	80