

## Fixing Element Square BQ---.1000

- The fixing element is welded with the respective combined roller
- Special dimensions on request.

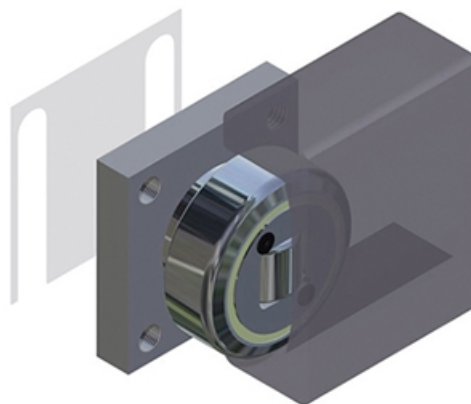
\* For L measurement, see respective roller.

Order example: Roller + Mounting plate

TR070.0200/BQ1000

Roller, combined, fixed, Ø 70,1 mm - welded with mounting plate 120 x 80 x 15 mm

Dimensions in mm.



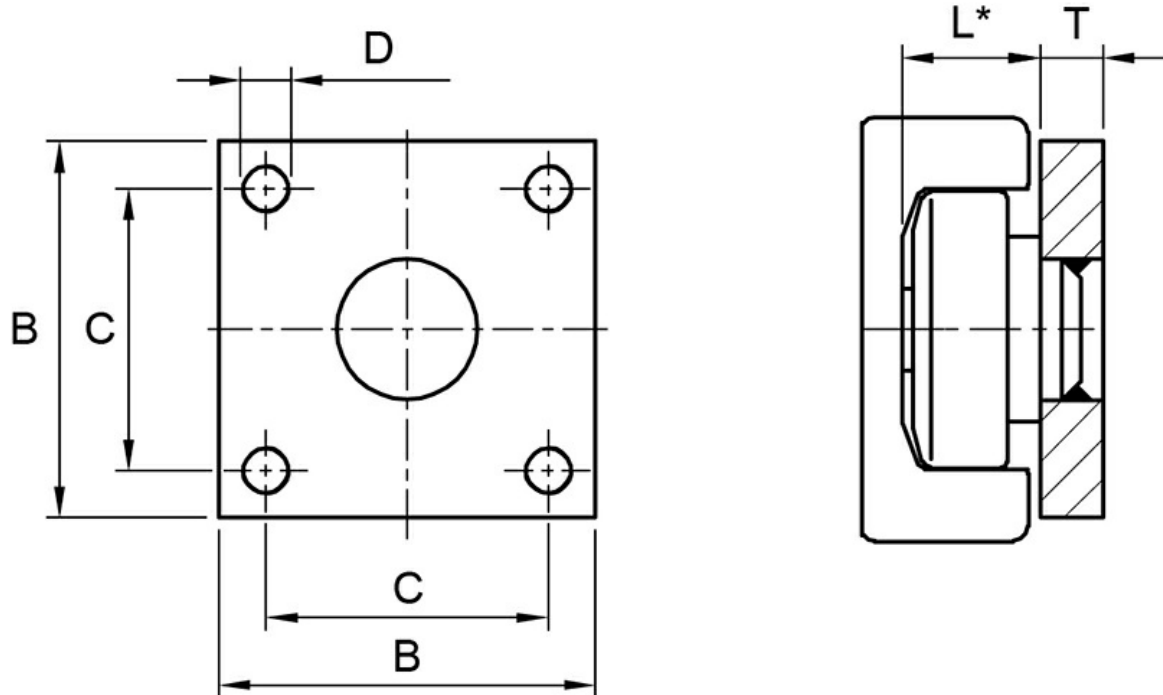
## Variant Data

| Designation      | Remark   |
|------------------|--|
| <b>50-BQ1000</b> | Roller: TR050.—, Plate: BQ1000, Distance sheet: BQ050.1405, BQ050.1410           |
| <b>60-BQ1000</b> | Roller: TR060.— / XTR060—, Plate: BQ1000, Distance sheet: BQ060.1405, BQ060.1410 |
| <b>70-BQ1000</b> | Roller: TR070.— / XTR070—, Plate: BQ1000, Distance sheet: BQ070.1405, BQ070.1410 |
| <b>80-BQ1000</b> | Roller: TR080.— / XTR080—, Plate: BQ1000, Distance sheet: BQ080.1405, BQ080.1410 |
| <b>90-BQ1000</b> | Roller: TR090.— / XTR090—, Plate: BQ1000, Distance sheet: BQ090.1405, BQ090.1410 |

## Variant Data

| Designation | Remark   |
|-------------|--|
| 110-BQ1000  | Roller: TR110.— / XTR110—, Plate: BQ1000, Distance sheet: BQ110.1405, BQ110.1410 |
| 120-BQ1000  | Roller: TR120.— / XTR120—, Plate: BQ1000, Distance sheet: BQ120.1405, BQ120.1410 |
| 150-BQ1000  | Roller: TR150.— / XTR150—, Plate: BQ1000, Distance sheet: BQ150.1405, BQ150.1410 |
| 180-BQ1000  | Roller: TR180.—, Plate: BQ1000, Distance sheet: BQ180.1405, BQ180.1410           |

## Variant Measurements



| Designation | B   | C   | D   | T  |
|-------------|-----|-----|-----|----|
| 50-BQ1000   | 60  | 40  | M8  | 10 |
| 60-BQ1000   | 70  | 50  | M10 | 12 |
| 70-BQ1000   | 80  | 60  | M12 | 15 |
| 80-BQ1000   | 100 | 70  | M12 | 15 |
| 90-BQ1000   | 120 | 90  | M16 | 20 |
| 110-BQ1000  | 140 | 100 | M16 | 20 |
| 120-BQ1000  | 140 | 100 | M16 | 20 |
| 150-BQ1000  | 160 | 120 | M16 | 25 |
| 180-BQ1000  | 200 | 150 | M20 | 30 |