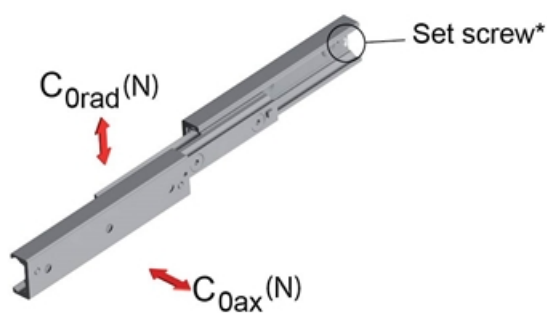


## DBN43

Full extension consisting of two guide rails, both fixed and movable, and two sliders which together form the intermediate element. The size is similar to the DE series and offers good protection from dirt of the open ballcage.

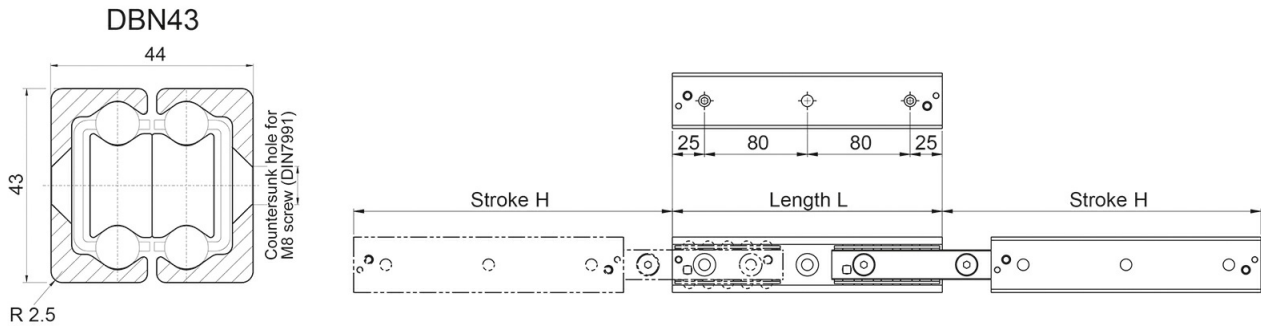
Special strokes are defined as deviations from standard stroke H. They are each available as multiples of the values in the table below. These values are dependent on the spacing of the ballcage. See Stroke modification in table.

Dimensions in mm



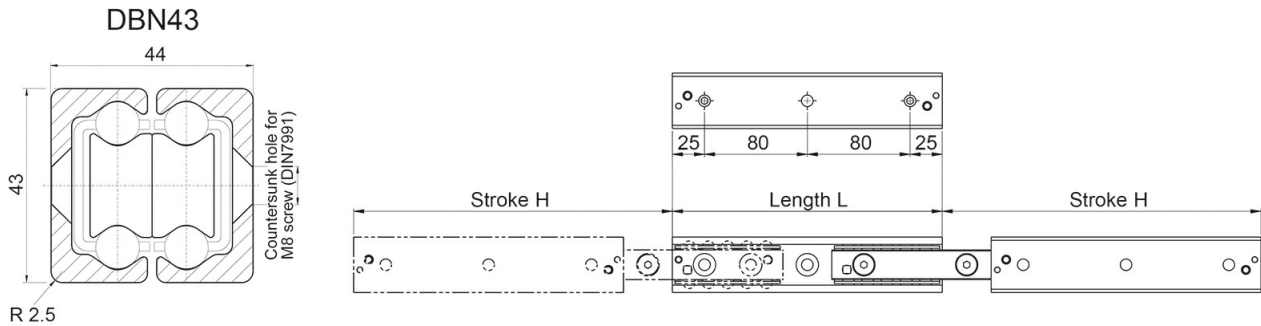
\* Remove the set screw to reach all the fixing holes.

## Variant Data



Designation	Length	Stroke	System Load Capacity Radial	System Load Capacity Axial	Number of Fixing Holes	Stroke Modification	Weight
DBN43-210	210,00	246	605 N	424 N	3	30,00	10,5 kg/m
DBN43-290	290,00	316	1114 N	780 N	4	30,00	10,5 kg/m
DBN43-370	370,00	416	1300 N	910 N	5	30,00	10,5 kg/m
DBN43-450	450,00	486	1331 N	1279 N	6	30,00	10,5 kg/m
DBN43-530	530,00	556	1193 N	1193 N	7	30,00	10,5 kg/m
DBN43-610	610,00	626	1082 N	1082 N	8	30,00	10,5 kg/m
DBN43-690	690,00	726	912 N	912 N	9	30,00	10,5 kg/m
DBN43-770	770,00	796	845 N	845 N	10	30,00	10,5 kg/m
DBN43-850	850,00	866	788 N	788 N	11	30,00	10,5 kg/m
DBN43-930	930,00	966	693 N	693 N	12	30,00	10,5 kg/m
DBN43-1010	1.010,00	1036	654 N	654 N	13	30,00	10,5 kg/m
DBN43-1090	1.090,00	1106	619 N	619 N	14	30,00	10,5 kg/m

## Variant Data



Designation	Length	Stroke	System Load Capacity Radial	System Load Capacity Axial	Number of Fixing Holes	Stroke Modification	Weight
DBN43-1170	1.170,00	1206	559 N	559 N	15	30,00	10,5 kg/m
DBN43-1250	1.250,00	1276	533 N	533 N	16	30,00	10,5 kg/m
DBN43-1330	1.330,00	1376	488 N	488 N	17	30,00	10,5 kg/m
DBN43-1410	1.410,00	1446	469 N	469 N	18	30,00	10,5 kg/m
DBN43-1490	1.490,00	1516	450 N	450 N	19	30,00	10,5 kg/m
DBN43-1570	1.570,00	1586	434 N	434 N	20	30,00	10,5 kg/m
DBN43-1650	1.650,00	1686	403 N	403 N	21	30,00	10,5 kg/m
DBN43-1730	1.730,00	1756	390 N	390 N	22	30,00	10,5 kg/m
DBN43-1810	1.810,00	1856	365 N	365 N	23	30,00	10,5 kg/m
DBN43-1890	1.890,00	1936	354 N	354 N	24	30,00	10,5 kg/m
DBN43-1970	1.970,00	2026	334 N	334 N	25	30,00	10,5 kg/m