

5030 - 100% Extension

* Outer beam: 2 holes in both ends.

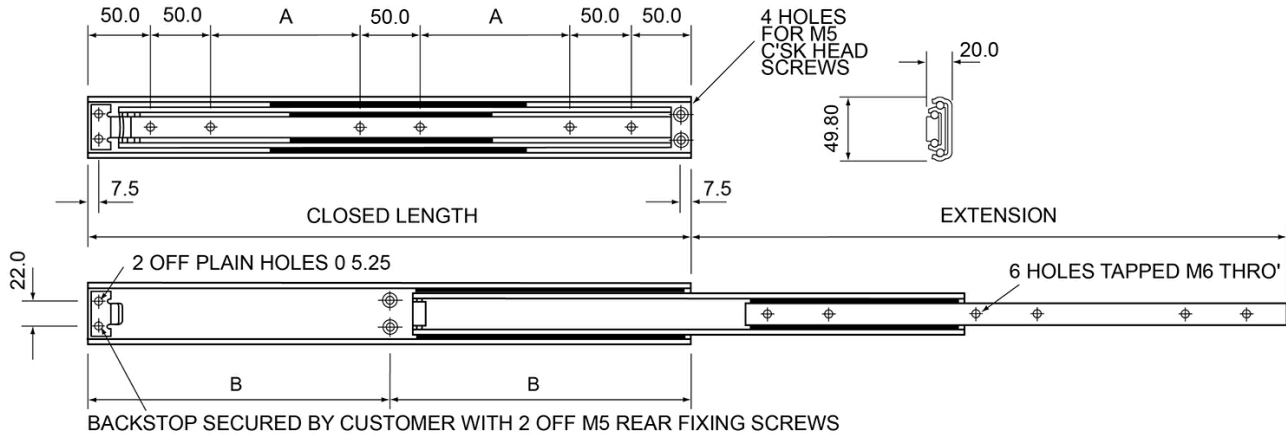
All dimensions in mm.



Variant Data

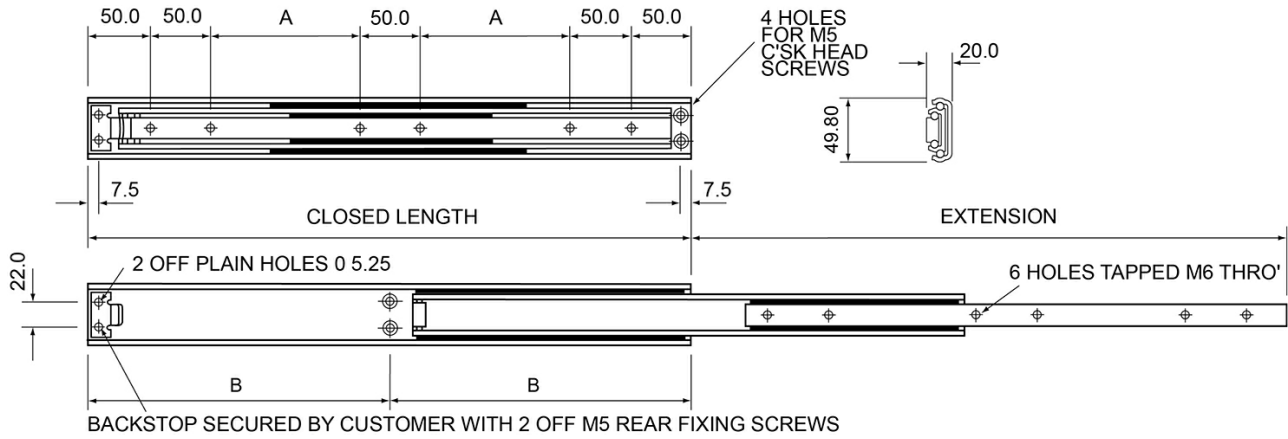
Designation	Closed Length	Extension Length	Load / Pair	Number of Fixing Holes
5030-300	300,00	300,00	1900 N	4
5030-350	350,00	350,00	1830 N	6
5030-400	400,00	400,00	1750 N	6
5030-450	450,00	450,00	1650 N	6
5030-500	500,00	500,00	1550 N	6
5030-550	550,00	550,00	1450 N	6
5030-600	600,00	600,00	1370 N	6
5030-650	650,00	650,00	1250 N	6
5030-700	700,00	700,00	1180 N	6
5030-750	750,00	750,00	1050 N	6
5030-800	800,00	800,00	950 N	6
5030-850	850,00	850,00	830 N	6
5030-900	900,00	900,00	720 N	6
5030-950	950,00	950,00	600 N	6
5030-1000	1.000,00	1.000,00	500 N	6

Variant Measurements



Designation	A	B
5030-300	*	150
5030-350	50	175
5030-400	75	200
5030-450	100	225
5030-500	125	250
5030-550	150	275
5030-600	175	300
5030-650	200	325
5030-700	225	350
5030-750	250	375
5030-800	275	400
5030-850	300	425

Variant Measurements



Designation	A	B
5030-900	325	450
5030-950	350	475
5030-1000	375	500