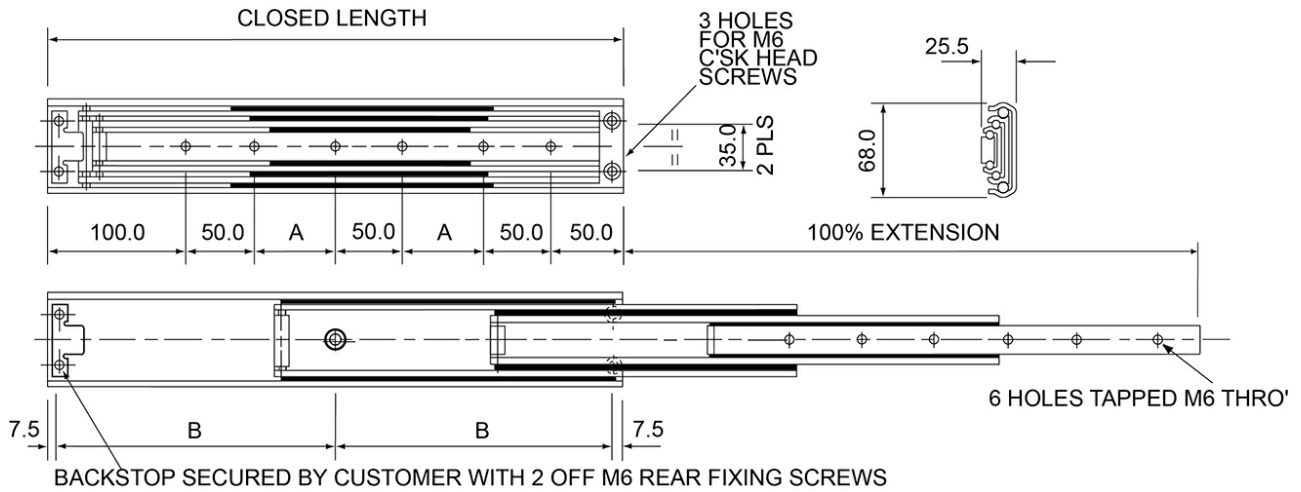


5040 - 100% Extension

All dimensions in mm.

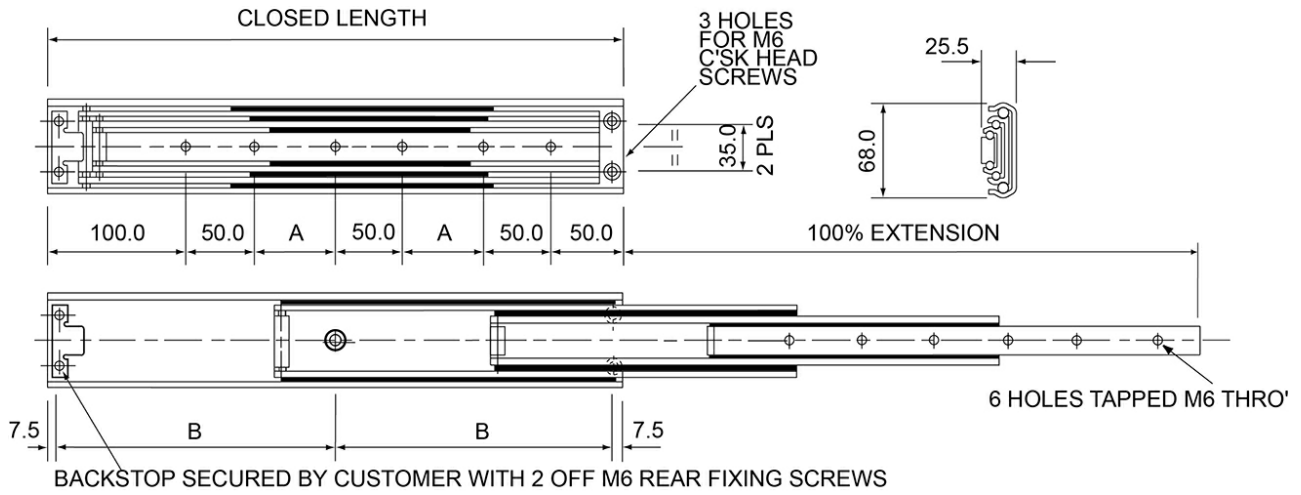


Variant Data



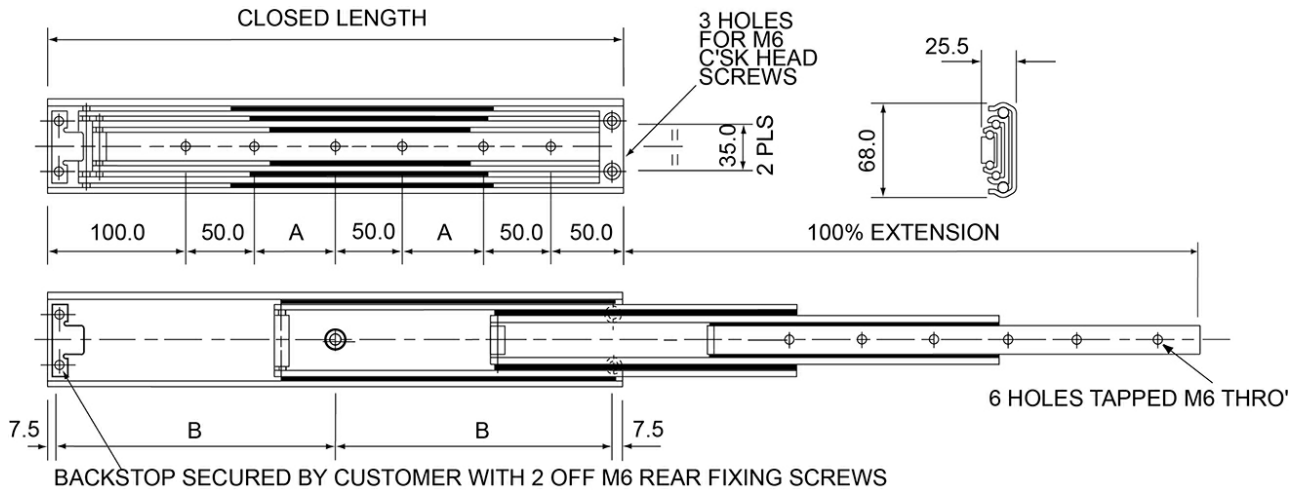
Designation	Closed Length	Extension Length	Load / Pair	Number of Fixing Holes
5040-300 100%	300,00	300,00	2600 N	4
5040-350 100%	350,00	350,00	2570 N	6
5040-400 100%	400,00	400,00	2450 N	6
5040-450 100%	450,00	450,00	2380 N	6
5040-500 100%	500,00	500,00	2300 N	6
5040-550 100%	550,00	550,00	2200 N	6
5040-600 100%	600,00	600,00	2100 N	6
5040-650 100%	650,00	650,00	2000 N	6
5040-700 100%	700,00	700,00	1950 N	6
5040-750 100%	750,00	750,00	1820 N	6
5040-800 100%	800,00	800,00	1780 N	6
5040-850 100%	850,00	850,00	1680 N	6

Variant Data



Designation	Closed Length	Extension Length	Load / Pair	Number of Fixing Holes
5040-900 100%	900,00	900,00	1600 N	6
5040-950 100%	950,00	950,00	1500 N	6
5040-1000 100%	1.000,00	1.000,00	1400 N	6

Variant Measurements



Designation	A	B
5040-300 100%	50	142,50
5040-350 100%	25	167,50
5040-400 100%	50	192,50
5040-450 100%	75	217,50
5040-500 100%	100	242,50
5040-550 100%	125	267,50
5040-600 100%	150	292,50
5040-650 100%	175	317,50
5040-700 100%	200	342,50
5040-750 100%	225	367,50
5040-800 100%	250	392,50
5040-850 100%	275	417,50
5040-900 100%	300	442,50
5040-950 100%	325	467,50
5040-1000 100%	350	492,50