



# Electrohydraulic Controller

Compax3F

aerospace  
climate control  
electromechanical  
filtration  
fluid & gas handling  
**hydraulics**  
pneumatics  
process control  
sealing & shielding



ENGINEERING YOUR SUCCESS.

# New functionalities...

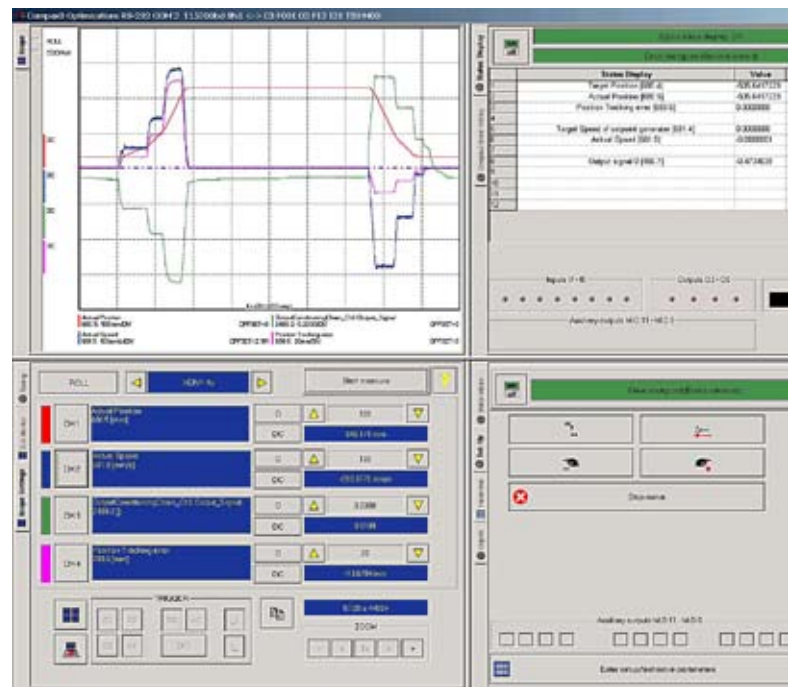
.....characterise the latest version of the Compax3F electrohydraulic axis controller by Parker Hannifin's hydraulic experts.

Compax3F has been successfully established in the market and has proven best suitable in most sophisticated applications such as die casting, metal forming, blow molding, tube bending and many more.

Position, velocity force/pressure control, synchronous run and cam function for up to 32 axes can be precisely adapted to specific use.

Together with the electromechanical axis controller from the Parker Automation team, the Compax family opens new windows of opportunity for energy saving hybrid solutions.

On top, the latest version of Compax3F is a big step ahead in easy, customer friendly axis control.



## Main features and functions:

- Technology function T11
  - Profile table
  - No programming skills required
  - Up to 31 motion profiles, e.g. absolute/relative position, force/pressure control, reg-related positioning or electronic gearing
  - Direct positioning via Profibus
  - Synchronous run for up to 2 hydraulic axes possible with just one electrohydraulic controller C3F\*T11
- EtherCAT (Option I31):
  - Real-time Ethernet protocol
  - Available for technology functions T30 and T40
- New force/pressure controller:
  - Additional force forward and velocity feedback for optimal force/pressure control
- Controller pre-setting:
  - Automatic controller set-up for position controlling
- Extended valve database:
  - With latest update of all Parker valves
- Multi-axis tool:
  - Database for multi-axis configurations
  - Documentation of project related data feasible

**Your contact:**  
valveshcd@parker.com

RS232 /

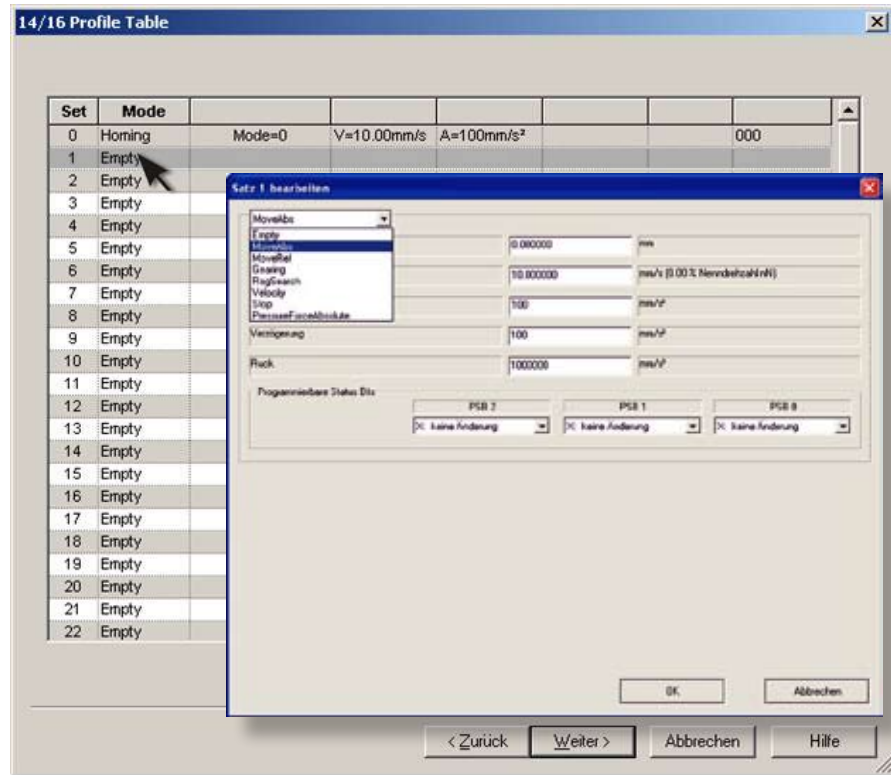
Analog

Analog

24VDC

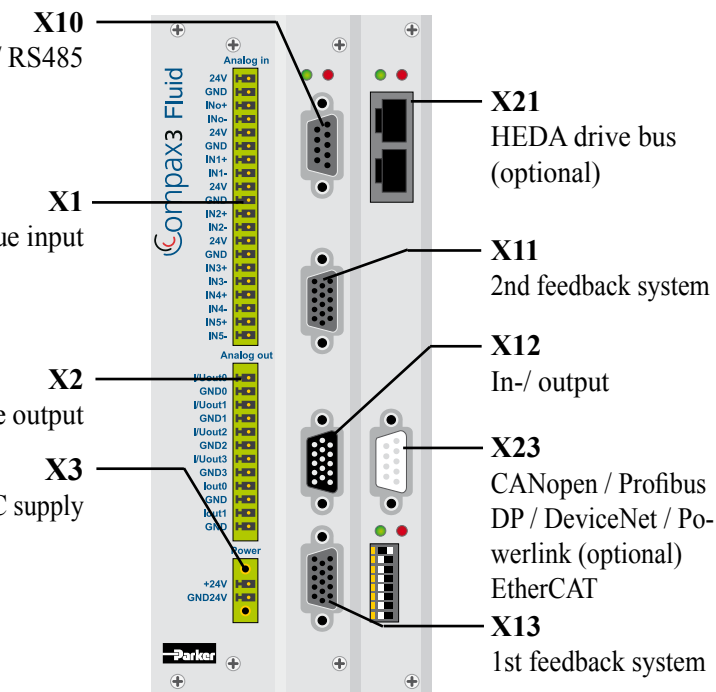


Optimisation window with real-time oscilloscope, full access to parameters, and monitoring function



Profile tables for up to 31 motion profiles

### Compax3F interfaces



### Compax3F technology functions

	T11	T30	T40
Profile table for up to 31 motion profiles	x		
Absolute/relative positioning	x	x	x
Force/pressure control	x	x	x
Electronic gear box	x	x	x
Dynamic positioning	x	x	x
Hydraulic-specific control engineering	x	x	x
Programmable based on IEC61131-3		x	x
Programming system CoDeSys		x	x
Up to 6500 instructions		x	x
Recipe table with 288 variables		x	x
PLCopen		x	x
Mark synchronisation			x
Cam switching acquisition			x
Cam profiles			x
Coupling and decoupling functions			x
Digital I/Os (RS232/485)	x	x	x
Profibus	O	O	O
CANopen		O	O
DeviceNet		O	O
Ethernet Powerlink		O	O
EtherCAT		O	O

x = Standard  
O = Optional



# Parker Worldwide

**AE – UAE, Dubai**  
Tel: +971 4 8127100  
parker.me@parker.com

**AR – Argentina, Buenos Aires**  
Tel: +54 3327 44 4129

**AT – Austria, Wiener Neustadt**  
Tel: +43 (0)2622 23501-0  
parker.austria@parker.com

**AT – Eastern Europe, Wiener Neustadt**  
Tel: +43 (0)2622 23501 970  
parker.easteurope@parker.com

**AU – Australia, Castle Hill**  
Tel: +61 (0)2-9634 7777

**AZ – Azerbaijan, Baku**  
Tel: +994 50 2233 458  
parker.azerbaijan@parker.com

**BE/LU – Belgium, Nivelles**  
Tel: +32 (0)67 280 900  
parker.belgium@parker.com

**BR – Brazil, Cachoeirinha RS**  
Tel: +55 51 3470 9144

**BY – Belarus, Minsk**  
Tel: +375 17 209 9399  
parker.belarus@parker.com

**CA – Canada, Milton, Ontario**  
Tel: +1 905 693 3000

**CH – Switzerland, Etoy**  
Tel: +41 (0) 21 821 02 30  
parker.switzerland@parker.com

**CN – China, Shanghai**  
Tel: +86 21 5031 2525

**CZ – Czech Republic, Klecany**  
Tel: +420 284 083 111  
parker.czechrepublic@parker.com

**DE – Germany, Kaarst**  
Tel: +49 (0)2131 4016 0  
parker.germany@parker.com

**DK – Denmark, Ballerup**  
Tel: +45 43 56 04 00  
parker.denmark@parker.com

**ES – Spain, Madrid**  
Tel: +34 902 33 00 01  
parker.spain@parker.com

**FI – Finland, Vantaa**  
Tel: +358 (0)20 753 2500  
parker.finland@parker.com

**FR – France, Contamine s/Arve**  
Tel: +33 (0)4 50 25 80 25  
parker.france@parker.com

**GR – Greece, Athens**  
Tel: +30 210 933 6450  
parker.greece@parker.com

**HK – Hong Kong**  
Tel: +852 2428 8008

**HU – Hungary, Budapest**  
Tel: +36 1 220 4155  
parker.hungary@parker.com

**IE – Ireland, Dublin**  
Tel: +353 (0)1 466 6370  
parker.ireland@parker.com

**IN – India, Mumbai**  
Tel: +91 22 6513 7081-85

**IT – Italy, Corsico (MI)**  
Tel: +39 02 45 19 21  
parker.italy@parker.com

**JP – Japan, Fujisawa**  
Tel: +(81) 4 6635 3050

**KR – South Korea, Seoul**  
Tel: +82 2 559 0400

**KZ – Kazakhstan, Almaty**  
Tel: +7 7272 505 800  
parker.easteurope@parker.com

**LV – Latvia, Riga**  
Tel: +371 6 745 2601  
parker.latvia@parker.com

**MX – Mexico, Apodaca**  
Tel: +52 81 8156 6000

**MY – Malaysia, Subang Jaya**  
Tel: +60 3 5638 1476

**NL – The Netherlands, Oldenzaal**  
Tel: +31 (0)541 585 000  
parker.nl@parker.com

**NO – Norway, Ski**  
Tel: +47 64 91 10 00  
parker.norway@parker.com

**NZ – New Zealand, Mt Wellington**  
Tel: +64 9 574 1744

**PL – Poland, Warsaw**  
Tel: +48 (0)22 573 24 00  
parker.poland@parker.com

**PT – Portugal, Leca da Palmeira**  
Tel: +351 22 999 7360  
parker.portugal@parker.com

**RO – Romania, Bucharest**  
Tel: +40 21 252 1382  
parker.romania@parker.com

**RU – Russia, Moscow**  
Tel: +7 495 645-2156  
parker.russia@parker.com

**SE – Sweden, Spånga**  
Tel: +46 (0)8 59 79 50 00  
parker.sweden@parker.com

**SG – Singapore**  
Tel: +65 6887 6300

**SK – Slovakia, Banská Bystrica**  
Tel: +421 484 162 252  
parker.slovakia@parker.com

**SL – Slovenia, Novo Mesto**  
Tel: +386 7 337 6650  
parker.slovenia@parker.com

**TH – Thailand, Bangkok**  
Tel: +662 717 8140

**TR – Turkey, Istanbul**  
Tel: +90 216 4997081  
parker.turkey@parker.com

**TW – Taiwan, Taipei**  
Tel: +886 2 2298 8987

**UA – Ukraine, Kiev**  
Tel +380 44 494 2731  
parker.ukraine@parker.com

**UK – United Kingdom, Warwick**  
Tel: +44 (0)1926 317 878  
parker.uk@parker.com

**US – USA, Cleveland (industrial)**  
Tel: +1 216 896 3000

**US – USA, Lincolnshire (mobile)**  
Tel: +1 847 821 1500

**VE – Venezuela, Caracas**  
Tel: +58 212 238 5422

**ZA – South Africa, Kempton Park**  
Tel: +27 (0)11 961 0700  
parker.southafrica@parker.com

