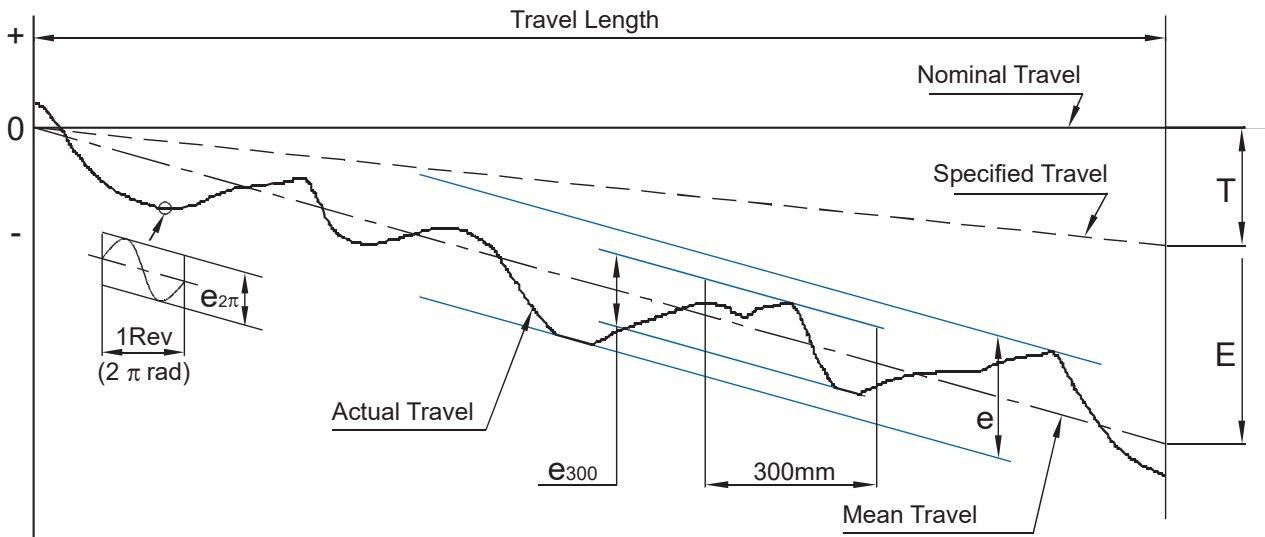


# Lead and Travel Accuracy

Lead accuracy of ball screws are graded C0 to C10, lower figure means less lead error. Grade C0 to C5 are specified by 4 basic terms: E, e,  $e_{300}$  and  $e_{2\pi}$ . For grade C7 and C10, only the maximal travel variation for any 300 mm is specified ( $e_{300}$ ).

## Diagram of Lead Accuracy



## Definition of Terms for Lead Accuracy

| Terms                 | Reference  | Definition  |
|-----------------------|------------|---|
| Travel compensation   | T          | Travel compensation is an intentional added or subtracted mean travel deviation. Used to compensate for the accuracy loss caused by operating the ball screw at lower or higher temperature than the reference temperature 20°C. Practically, travel compensation can only be specified and delivered for ground ball screws. |
| Actual travel         |            | Position achieved in reality, sum of all deviations.  |
| Mean travel deviation | E          | The linearized average travel deviation over a specified travel length. This value (if known) could be used to make a simple accuracy improvement by using a one-term scale factor in the control system.   |
| Travel variations     | e          | The maximal travel variation over specified travel length.  |
|                       | $e_{300}$  | The maximal travel variation over any measured 300 mm travel length. For C7 and C10, this value accumulates with longer travel.   |
|                       | $e_{2\pi}$ | Travel deviation measure over one revolution (travel length = lead of ball screw).  |

## Mean Travel Deviation ( $\pm E$ ) and Travel Variation ( $e$ ) (JIS B 1192)

|                    | Grade |       | C0      |     | C1      |     | C2      |     | C3      |     | C5      |     | C7        | C10        |
|--------------------|-------|-------|---------|-----|---------|-----|---------|-----|---------|-----|---------|-----|-----------|------------|
|                    | Over  | Incl. | $\pm E$ | $e$ | $\pm E$ | $e$ | $\pm E$ | $e$ | $\pm E$ | $e$ | $\pm E$ | $e$ |           |            |
| Travel Length (mm) |       | 100   | 3       | 3   | 3.5     | 5   | 5       | 7   | 8       | 8   | 18      | 18  |           |            |
|                    | 100   | 200   | 3.5     | 3   | 4.5     | 5   | 7       | 7   | 10      | 8   | 20      | 18  |           |            |
|                    | 200   | 315   | 4       | 3.5 | 6       | 5   | 8       | 7   | 12      | 8   | 23      | 18  |           |            |
|                    | 315   | 400   | 5       | 3.5 | 7       | 5   | 9       | 7   | 13      | 10  | 25      | 20  |           |            |
|                    | 400   | 500   | 6       | 4   | 8       | 5   | 10      | 7   | 15      | 10  | 27      | 20  |           |            |
|                    | 500   | 630   | 6       | 4   | 9       | 6   | 11      | 8   | 16      | 12  | 30      | 23  |           |            |
|                    | 630   | 800   | 7       | 5   | 10      | 7   | 13      | 9   | 18      | 13  | 35      | 25  |           |            |
|                    | 800   | 1000  | 8       | 6   | 11      | 8   | 15      | 10  | 21      | 15  | 40      | 27  |           |            |
|                    | 1000  | 1250  | 9       | 6   | 13      | 9   | 18      | 11  | 24      | 16  | 46      | 30  | $\pm 50/$ | $\pm 210/$ |
|                    | 1250  | 1600  | 11      | 7   | 15      | 10  | 21      | 13  | 29      | 18  | 54      | 35  | 300mm     | 300mm      |
|                    | 1600  | 2000  |         |     | 18      | 11  | 25      | 15  | 35      | 21  | 65      | 40  |           |            |
|                    | 2000  | 2500  |         |     | 22      | 13  | 30      | 18  | 41      | 24  | 77      | 46  |           |            |
|                    | 2500  | 3150  |         |     | 26      | 15  | 36      | 21  | 50      | 29  | 93      | 54  |           |            |
|                    | 3150  | 4000  |         |     | 30      | 18  | 44      | 25  | 60      | 35  | 115     | 65  |           |            |
|                    | 4000  | 5000  |         |     |         |     | 52      | 30  | 72      | 41  | 140     | 77  |           |            |
|                    | 5000  | 6300  |         |     |         |     | 65      | 36  | 90      | 50  | 170     | 93  |           |            |
|                    | 6300  | 8000  |         |     |         |     |         |     | 110     | 60  | 210     | 115 |           |            |
| 8000               | 10000 |       |         |     |         |     |         |     |         | 260 | 140     |     |           |            |
| 10000              | 12500 |       |         |     |         |     |         |     |         | 320 | 170     |     |           |            |

Unit:  $\mu m$

## Pre-load and Clearance

Single nuts always perform best and produce the smoothest running having some axial clearance. Rollco offers reduced clearance (P1) as an option for all sizes. Light preload (P2) is possible for most sizes of single nuts but will always introduce some roughness of running under no-load conditions. If requirements on both pre-load and smoothness at zero load are high, a double nut FDCR is the solution. Pre-loaded nuts require at least C5 rolled ball screw to work well. On request, Rollco can offer ground ball screw in C5 and C3 quality. This improve the running behavior and decrease the noise level substantially.

### Standard clearance (P0)

| Screw shaft $\varnothing$ | Rolled ball screw clearance in the axial direction (max) |                           |
|---------------------------|--|---------------------------|
| 4 ~ 14                    | 0,05   | small size of ball screw  |
| 15 ~ 49                   | 0,08   | middle size of ball screw |
| 50 ~ 80                   | 0,12   | big size of ball screw    |

Unit: mm

### Reduced clearance (P1)

Max 0,02 mm clearance for all sizes

**Light preload (P2)**

Light preload P2 means that there is an internal load on the balls because of oversized balls. In applications with very high life-time requirements, this internal load will affect the life time.

Recirculation type:

I: internal by radial inserts

E: internal by end inserts

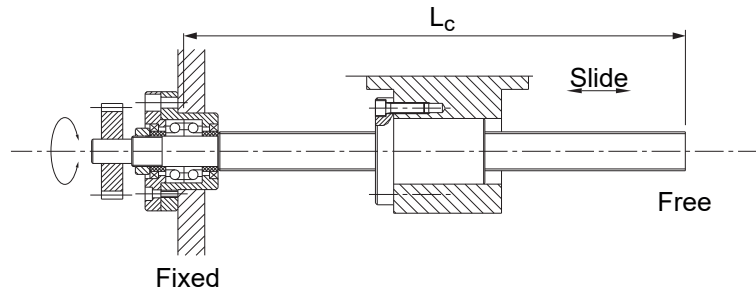
| Type      | Recirculation type | Preload (% of Ca) | Reference torque $T_p$ (Nm) |
|-----------|--------------------|-------------------|-----------------------------|
| FSCR1605  | I                  | 3%                | 0,029                       |
| FSCRN1610 | E                  | 2%                | 0,026                       |
| FSCR2005  | I                  | 3%                | 0,046                       |
| FSCR2505  | I                  | 3%                | 0,059                       |
| FSCR2510  | I                  | 3%                | 0,109                       |
| FSCR3205  | I                  | 3%                | 0,074                       |
| FSCR3210  | I                  | 3%                | 0,257                       |
| FSCR3220  | E                  | 2%                | 0,142                       |
| FSCR4005  | I                  | 3%                | 0,093                       |
| FSCR4010  | I                  | 3%                | 0,325                       |
| FSCR4020  | E                  | 2%                | 0,308                       |
| FSCR5010  | I                  | 3%                | 0,413                       |
| FSCR6310  | I                  | 3%                | 0,532                       |
| FSCR6320  | I                  | 3%                | 1,283                       |
| RSKR1204  | I                  | 3%                | 0,022                       |
| RSKR1605  | I                  | 3%                | 0,027                       |
| FSER1616  | E                  | 2%                | 0,043                       |
| FSER2020  | E                  | 2%                | 0,044                       |
| FSER2525  | E                  | 2%                | 0,086                       |
| FSER3232  | E                  | 2%                | 0,158                       |
| FSER4040  | E                  | 2%                | 0,324                       |
| FSER5050  | E                  | 2%                | 0,721                       |

Reference torque  $T_p$  is defined for an oil lubricated nut without wipers, measured at 100 rpm. Allowed fluctuation is typical +/- 30% but may be more on long screw shafts. (Length/diameter > 40.)

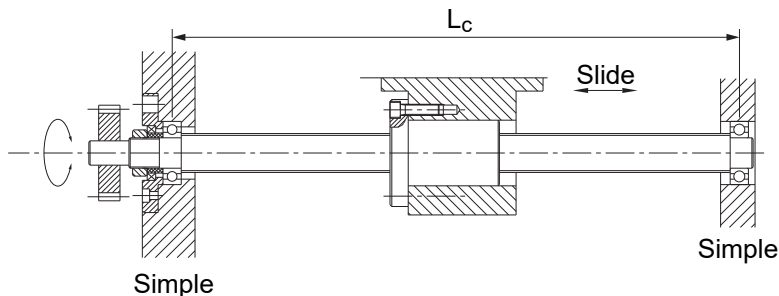
It is normal that the starting torque measured without seals is 2-3 times higher than  $T_p$ . The influence of seal friction, lubrication, temperature etc. may result in even higher starting torques. Consult Rollco if start torque is critical for your application.

# Mounting Methods

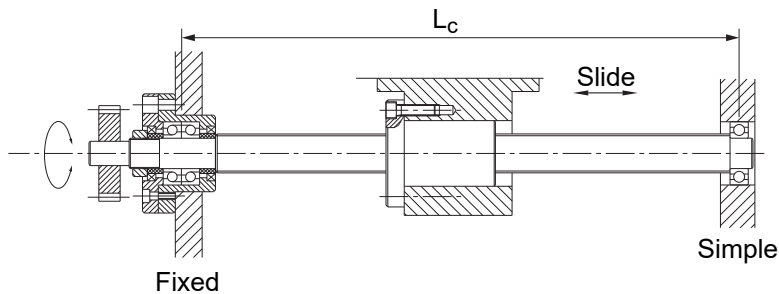
The way the screw shaft is supported and fixed in the ends determine both the Critical shaft speed and the buckling load. By using combinations of Rollco support units, type 1, 3 and 4 can be arranged:



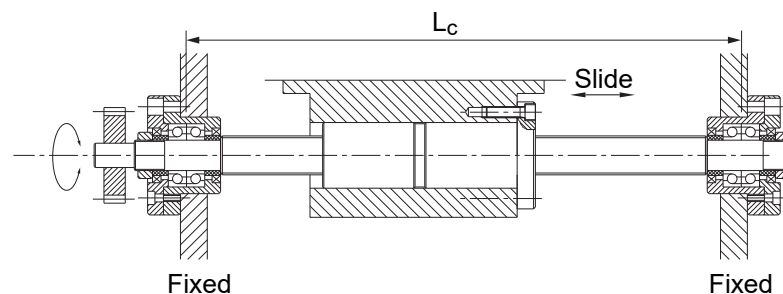
**Type 1**



**Type 2**



**Type 3**



**Type 4**

The most common and strongly recommended combination is the Type 3 “Fixed-Simple” and for short strokes, Type 1 “Fixed-Free”. Type 4 “Fixed-Fixed” requires very careful mounting and should only be used in specific cases, consult Rollco. Type 2 “Simple-Simple” is sometimes an economic solution but is limited in load capacity and will always have a quite large axial play. The axially free end can be utilized using Rollco units type BFN and FFN but we do not offer any unit with axially fixed single bearing.

## Buckling Load

If a ball screw is loaded in compression, it will at a certain load level go into elastic buckling and collapse! The type of Mounting Method have large influence on this limit, along with the diameter and the free length of the ball screw shaft. The best way to avoid risk of buckling is always to identify the main load direction and to place the Fixed bearing unit in the end where it make the screw shaft receive the largest force in tension.

**The critical buckling load, including a safety factor 3 is calculated using:**

$$F_c = \frac{34000 \cdot f_3 \cdot d_2^4}{L_c^2}$$

$F_c$  = Buckling strength (N)

$d_2$  = Root diameter\* of screw shaft (mm)  
\* $d_2 = d - D_a$  (nominal shaft diameter minus ball diameter  $D_a$ )

$L_c$  = Critical length (mm), the distance between center of bearing units or the free end

$f_3$  = Mounting method factor for buckling

| Mounting method       | Factor $f_3$ |
|-----------------------|--------------|
| Type 1, fixed-free    | 0,25         |
| Type 2, simple-simple | 1            |
| Type 3, fixed-simple  | 2            |
| Type 4, fixed-fixed   | 4            |

## Critical Speed of the Screw Shaft

Any rotating shaft have an eigenfrequency that needs to be avoided. If the nut is linearly guided, hitting the eigenfrequency (resonance) will create vibrations, noise and excessive wear. In a system with an un-guided nut, the resonance will make the system to collapse by bending of the shaft.

**The critical speed is calculated using:**

$$n_{cr} = 49 \cdot 10^6 \frac{f_1 \cdot d_2}{L_c^2}$$

$n_{cr}$  = Critical speed (rpm)

$d_2$  = Root diameter\* of screw shaft (mm)  
\* $d_2 = d - D_a$  (nominal shaft diameter minus ball diameter  $D_a$ )

$L_c$  = Critical length (mm), the distance between center of bearing units or the free end

$f_1$  = Mounting method factor for critical speed

| Mounting method       | Factor $f_1$ |
|-----------------------|--------------|
| Type 1, fixed-free    | 0,9          |
| Type 2, simple-simple | 2,5          |
| Type 3, fixed-simple  | 3,8          |
| Type 4, fixed-fixed   | 5,6          |

## Limiting Speed of the Ball Nut

All ball nuts have some type of ball recirculation mechanism. The deflection of the balls creates increasing forces, wear and noise as the speed increases. The limiting speed of the nut is called the speed product and is designated “ $dm \cdot n$ ”. Effectively,  $dm$  is equal to the nominal diameter “ $d$ ” of the ball screw and “ $n$ ” is the speed in rpm.

### Limiting speed of Rolco ball nuts are:

| Type              | $dm \cdot n$ limit |
|-------------------|--------------------|
| SFKR              | 70 000             |
| RSKR              | 70 000             |
| RSCR              | 70 000             |
| FSCR, lead 5 & 10 | 70 000             |
| FSCR, lead 20     | 100 000            |
| FSCRN 1610        | 100 000            |
| FDCR              | 70 000             |
| FSER              | 100 000            |
| SFYR              | 100 000            |

### The rule is:

$$dm \cdot n \text{ limit} \geq d \cdot n_{(max)}$$

$d$  = ball screw diameter

$n_{(max)}$  = highest speed used in the application

If the product exceed the “ $dm \cdot n$  limit”, a lower rotational speed must be used, most common is to select a ball screw with higher lead to be able to keep the desired linear speed.

It is recommended to only utilize 80 % of the “ $dm \cdot n$  limit” for long life applications. Exceeding the “ $dm \cdot n$  limit” may cause destruction of the recirculation mechanism and will at least shorten the life and reliability of the ball nut.

# Life Calculation

## Nominal Life Calculation of Ball Screws

As a general advise, there is normally no need to make any detailed life calculation if real load vs the Ca-value is 5 or greater. A long life will be achieved for most applications and conditions using this simple rule. But if size and cost restrict you, an optimization may be required.

As with all ball and roller based bearings there is a theory of how to calculate the fatigue life, applicable also for ball screws. The basic life theory L10 is well proven and the result represent a 90% probability to reach or exceed the calculated life. Definition of fatigue life is when the material of the rolling elements or raceways start to fail (flake). In reality, there are a number of other factors influences the service life, mainly the lubrication conditions, assembly precision and cleanliness during operation.

**A nominal life for ball screws can be calculated using:**

$$L_{10nom} = \left( \frac{C_a}{P_a \cdot f_w} \right)^3$$

- $L_{10nom}$  = Nominal fatigue life in millions of revolutions
- $C_a$  = Basic dynamic load rating (N)
- $P_a$  = Equivalent axial load (N)
- $f_w$  = Load factor for ball screw

| Level of vibration and impact | Relative speed (% of dm·n) | $f_w$     |
|-------------------------------|----------------------------|-----------|
| Low                           | 5 - 50 %                   | 1,0 – 1,2 |
| Medium                        | 50 - 80 %                  | 1,2 – 1,5 |
| High                          | < 1 % or > 80 %            | 1,5 – 3,0 |

The selection of  $f_w$  have very strong impact on the calculation. If in doubt how to select suitable load factor for your application, please contact Rollco for support.

The equivalent load  $P_a$  is the cubic mean load over distance. In most cases, it is enough to use the highest load that occurs in the application. Contact Rollco if optimization is required.

## Nominal Life Calculation of Fixed Bearing Units

The fatigue life of fixed bearing units follows the same basic theory as the ball screws. However, due to the construction of the units and type of bearings, there are a “Permissible loads” to take into account. The load factor for bearing units also have lower values as the speed used have very low derating influence.

**A nominal life for fixed bearing units can be calculated using:**

$$L_{10nom} = \left( \frac{C_a}{P_a \cdot f_{wKU}} \right)^3$$

- $L_{10nom}$  = Nominal fatigue life in millions of revolutions
- $C_a$  = Basic dynamic load rating (N)
- $P_a$  = Equivalent axial load (N)
- $f_{wKU}$  = Load factor for fixed bearing unit

Valid only if the actual load during motion is kept below the Dynamic Permissible axial Load!

| Level of vibration and impact | $f_{wKU}$ |
|-------------------------------|-----------|
| Low                           | 1,0 – 1,1 |
| Medium                        | 1,1 – 1,3 |
| High                          | 1,3 – 2,0 |

# Static Loads

For applications not requiring a very long life, the static load rating may be the limiting factor. Every application should however be checked for the static safety factor to avoid damage and shortened life.

**For ball screws:**

$$F_{\max} \leq s_0 \cdot C_{a0} \dots \text{or} \dots C_{a0} \geq s_0 \cdot F_{\max}$$

$F_{\max}$  = the highest occurring force in the application (N)

$C_{a0}$  = static load rating of the ball nut

$s_0$  = static safety factor

**Recommended static safety factors:**

| Category | Application characteristics  | Typical machinery   | $s_0$   |
|----------|--|---|---------|
| 1        | High accuracy of assembly, 100% control of occurring forces, low dynamics, no shock loads. | Material test benches, precision machines.                    | 1,5     |
| 2        | Normal assembly precision, moderate speeds and accelerations, small chock loads.           | Automation, material handling equipment, light machine tools. | 2,5     |
| 3        | High speeds and accelerations and/or heavy vibrations and shock loads                      | High speed automation, normal machine tools                   | 3 to 5  |
| 4        | Heavy shock and vibrations   | Press tool, riveting, metal forming and cutting tools         | 5 to 10 |

For Rollco fixed bearing units, the “Static Permissible axial Load” can be used in general.

For category 4 an additional safety margin may be needed. Always consult Rollco for demanding applications.



## Angular Acceleration

At quick rotational speed changes, the balls in the ball nut may slide instead of roll. This will cause more or less damage to the balls or the raceways. A lot of factors of both the ball nut and the application conditions influence if slipping will occur or not.

Our recommendation is to avoid long term use of angular accelerations above 3000 rad/s<sup>2</sup>

| Lead mm | Linear acceleration m/s <sup>2</sup> |
|---------|--------------------------------------|
| 1       | 1,0                                  |
| 2       | 1,9                                  |
| 2,5     | 2,4                                  |
| 4       | 3,8                                  |
| 5       | 4,8                                  |
| 10      | 10                                   |
| 16      | 15                                   |
| 20      | 19                                   |
| 25      | 24                                   |
| 32      | 31                                   |
| 40      | 38                                   |
| 50      | 48                                   |

Linear acceleration for different leads at 3000 rad/s<sup>2</sup>.

## Torque and Force

The torque needed to produce a linear force is calculated using this formula:

$$T = \frac{F \cdot l}{2000 \cdot \pi \cdot \eta_p}$$

T = Drive torque (Nm)

F = Axial load on the ball nut (N)

l = Lead (mm)

$\eta$  = Practical efficiency (typical 0,8)

The theoretical efficiency of a ball screw is between 90 to 96 % depending on design and load conditions. For all common applications, we recommend to calculate with a practical efficiency of 80%.

If the brake or holding torque needs to be calculated:

$$T_B = \frac{F \cdot l \cdot \eta'}{2000 \cdot \pi}$$

T<sub>B</sub> = brake torque (Nm)

$\eta'$  = Theoretical indirect efficiency (typical 0,95)

When calculating holding torque, the theoretical indirect efficiency is used of safety reasons.

# Lubrication

For a ball screw or any ball and roller based bearing, clean and sufficient lubrication is essential to achieve the predicted life and performance. Rollco ball screws do not offer any "life time lubricated" solutions, periodic re-lubrication is mandatory.

Rollco bearing units are closed and sealed and can normally be operated w/o re-lubrication 10 000 to 30 000 h. If a reliable service life exceeding 5 years are required, re-lubrication or exchange of the bearing units are recommended. On request, the fixed bearing units can be supplied with grease nipple.

## Grease Lubrication

For ball screws of lead 5 mm or above, the basic recommendation is to use a lithium complex based grease of NLGI grade 2 with a base oil viscosity of 46 to 100 cSt. Smaller lead ball screws benefit and work better with a less stiff grease, for example NLGI 1 or NLGI 1,5.

## Additives

It has shown that grease containing additives such as graphite or MoS<sub>2</sub> does not work well with ball screws as the particles tend to build up and cause blocking of the recirculation mechanism.

## Oil Lubrication

Continuous oil lubrication is many times a good way to ensure a long life of any bearing type. The cost of an automatic lubrication system has to be compared to the cost of more frequent failures and part replacements. The main advantages of oil lubrication is that it keeps the ball nut clean, offers the lowest friction and acts like a coolant.

### General Advice for Ball Screw Grease Re-lubrication:

For all ball nuts having a seal or wiper:

Every 50 million revolutions or after 500 hours operation time, whatever occurs first.

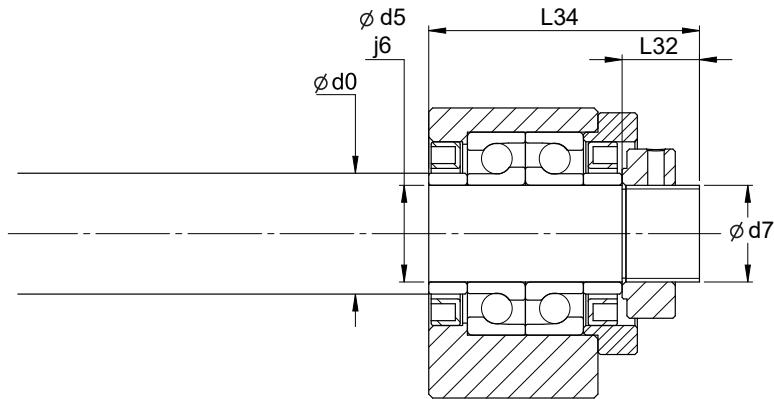
| Screw lead | Distance @ 50 Mrev |
|------------|--------------------|
| 2,5        | 125 km             |
| 3          | 150 km             |
| 4          | 200 km             |
| 5          | 250 km             |
| 10         | 500 km             |
| 16         | 800 km             |
| 20         | 1000 km            |
| 25         | 1250 km            |
| 32         | 1600 km            |
| 40         | 2000 km            |
| 50         | 2500 km            |

### Recommendation above valid for typical operation conditions:

- Temperature +10 to +30°C
- Load ≤ 0,2\*Ca
- Speed ≤ 80% of max recommended dm·n

# Standard End Journals

## E1

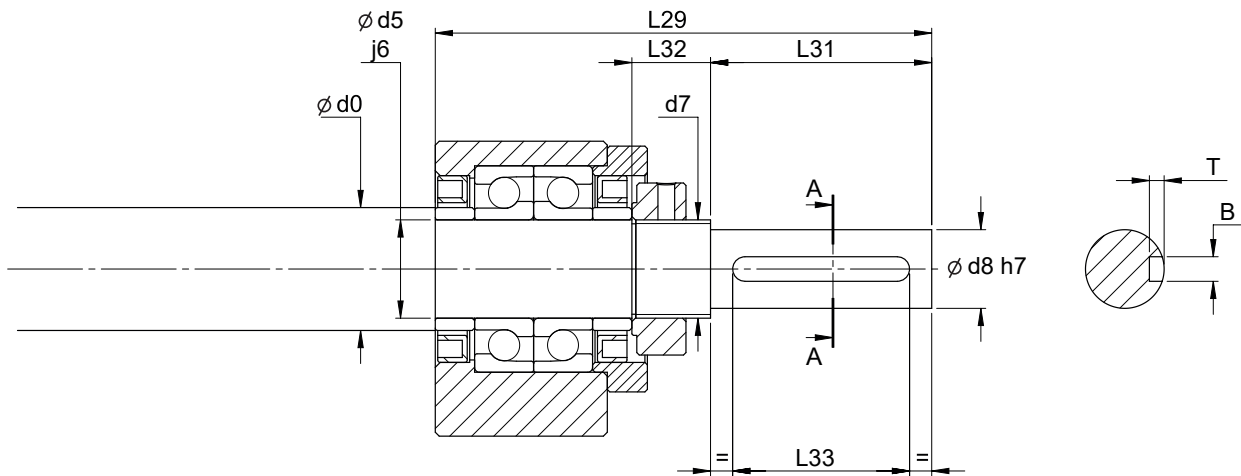


| Code  | Unit     | d0* | d5 | d7      | L32 | L34 |
|-------|----------|-----|----|---------|-----|-----|
| E1B   | BKN08    | 12  | 8  | M8x1    | 12  | 36  |
| E1B   | BKN10    | 14  | 10 | M10x1   | 10  | 36  |
| E1B   | BKN12    | 16  | 12 | M12x1   | 13  | 40  |
| E1B   | BKN 15   | 20  | 15 | M15x1   | 13  | 43  |
| E1B   | BKN17    | 25  | 17 | M17x1   | 17  | 55  |
| E1B   | BKN20    | 25  | 20 | M20x1   | 16  | 56  |
| E1B   | BKN25    | 32  | 25 | M25x1.5 | 17  | 65  |
| E1B   | BKN30    | 40  | 30 | M30x1.5 | 21  | 71  |
| E1B   | BKN 40   | 50  | 40 | M40x1.5 | 26  | 92  |
| E1F   | FKN06    | 8   | 6  | M6x0.75 | 8   | 28  |
| E1F   | FKN06    | 10  | 6  | M6x0.75 | 8   | 28  |
| E1F   | FKN08    | 12  | 8  | M8x1    | 12  | 36  |
| E1F   | FKN10    | 14  | 10 | M10x1   | 10  | 36  |
| E1F   | FKN12    | 16  | 12 | M12x1   | 13  | 40  |
| E1F   | FKN 15   | 20  | 15 | M15x1   | 13  | 47  |
| E1F   | FKN17    | 25  | 17 | M17x1   | 17  | 59  |
| E1F   | FKN20    | 25  | 20 | M20x1   | 16  | 64  |
| E1F   | FKN25    | 32  | 25 | M25x1.5 | 20  | 73  |
| E1F   | FKN30    | 40  | 30 | M30x1.5 | 21  | 71  |
| E1WF  | WBK25DF  | 32  | 25 | M25x1.5 | 26  | 89  |
| E1WF  | WBK30DF  | 40  | 30 | M30x1.5 | 26  | 89  |
| E1WF  | WBK40DF  | 50  | 40 | M40x1.5 | 30  | 92  |
| E1WFF | WBK30DFF | 40  | 30 | M30x1.5 | 26  | 119 |
| E1WFF | WBK40DFF | 50  | 40 | M40x1.5 | 30  | 122 |

\* Nominal ball screw diameter.

## E2 and E2 -N

(-N = with keyway)

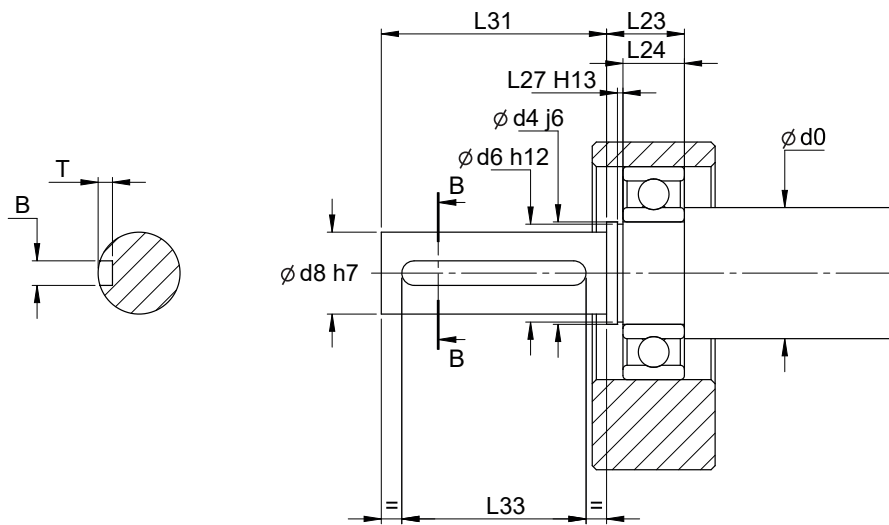


| Code  | Unit     | d0* | d5 | d7      | d8 | L29 | L31 | L32 | - N<br>B <sub>P9</sub> x L <sub>33</sub> x T |
|-------|----------|-----|----|---------|----|-----|-----|-----|--|
| E2B   | BKN08    | 12  | 8  | M8x1    | 6  | 51  | 15  | 12  | 2x10x1,2                                     |
| E2B   | BKN10    | 14  | 10 | M10x1   | 8  | 51  | 15  | 10  | 2x10x1,2                                     |
| E2B   | BKN12    | 16  | 12 | M12x1   | 10 | 65  | 25  | 13  | 3x18x1,8                                     |
| E2B   | BKN 15   | 20  | 15 | M15x1   | 12 | 78  | 35  | 13  | 4x27x2,5                                     |
| E2B   | BKN17    | 25  | 17 | M17x1   | 15 | 78  | 23  | 17  | 5x18x3                                       |
| E2B   | BKN20    | 25  | 20 | M20x1   | 16 | 101 | 45  | 16  | 5x36x3                                       |
| E2B   | BKN25    | 32  | 25 | M25x1.5 | 20 | 120 | 55  | 17  | 6x45x3,5                                     |
| E2B   | BKN30    | 40  | 30 | M30x1.5 | 25 | 133 | 62  | 21  | 8x50x4                                       |
| E2B   | BKN40    | 50  | 40 | M40x1.5 | 36 | 168 | 76  | 26  | 10x63x5                                      |
| E2F   | FKN06    | 8   | 6  | M6x0.75 | 4  | 36  | 8   | 8   | -  |
| E2F   | FKN06    | 10  | 6  | M6x0.75 | 4  | 36  | 8   | 8   | -  |
| E2F   | FKN08    | 12  | 8  | M8x1    | 6  | 51  | 15  | 12  | 2x10x1,2                                     |
| E2F   | FKN10    | 14  | 10 | M10x1   | 8  | 51  | 15  | 10  | 2x10x1,2                                     |
| E2F   | FKN12    | 16  | 12 | M12x1   | 10 | 65  | 25  | 13  | 3x18x1,8                                     |
| E2F   | FKN 15   | 20  | 15 | M15x1   | 12 | 82  | 35  | 13  | 4x27x2,5                                     |
| E2F   | FKN17    | 25  | 17 | M17x1   | 15 | 82  | 23  | 17  | 5x18x3                                       |
| E2F   | FKN20    | 25  | 20 | M20x1   | 16 | 109 | 45  | 16  | 5x36x3                                       |
| E2F   | FKN25    | 32  | 25 | M25x1.5 | 20 | 128 | 55  | 20  | 6x45x3,5                                     |
| E2F   | FKN30    | 40  | 30 | M30x1.5 | 25 | 133 | 62  | 21  | 8x50x4                                       |
| E2WF  | WBK25DF  | 32  | 25 | M25x1.5 | 20 | 144 | 55  | 26  | 6x45x3,5                                     |
| E2WF  | WBK30DF  | 40  | 30 | M30x1.5 | 25 | 153 | 64  | 26  | 8x50x4                                       |
| E2WF  | WBK40DF  | 50  | 40 | M40x1.5 | 36 | 170 | 78  | 30  | 10x63x5                                      |
| E2WFF | WBK30DFF | 40  | 30 | M30x1.5 | 25 | 183 | 64  | 26  | 8x50x4                                       |
| E2WFF | WBK40DFF | 50  | 40 | M40x1.5 | 36 | 200 | 78  | 30  | 10x63x5                                      |

\* Nominal ball screw diameter.

## D1 and D1 -N

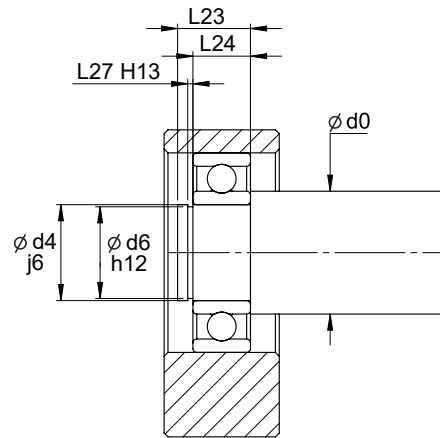
(-N = with keyway)



| Code | Unit   | d0* | d4 | d6   | d8 | L23  | L24 | L27  | L31 | - N<br>B <sub>p9</sub> x L <sub>33</sub> x T |
|------|--------|-----|----|------|----|------|-----|------|-----|--|
| D1B  | BFN 08 | 12  | 6  | 5,7  | 6  | 8    | 6   | 0,9  | 15  | 2x10x1,2                                     |
| D1B  | BFN10  | 14  | 8  | 7,6  | 8  | 10   | 7   | 0,9  | 15  | 2x10x1,2                                     |
| D1B  | BFN12  | 16  | 10 | 9,6  | 10 | 10,5 | 8   | 1,15 | 25  | 3x18x1,8                                     |
| D1B  | BFN15  | 20  | 15 | 14,3 | 12 | 13   | 9   | 1,15 | 35  | 4x27x2,5                                     |
| D1B  | BFN 17 | 25  | 17 | 16,2 | 15 | 16   | 12  | 1,15 | 23  | 5x18x3                                       |
| D1B  | BFN 20 | 25  | 20 | 19   | 16 | 16   | 12  | 1,35 | 45  | 5x36x3                                       |
| D1B  | BFN25  | 32  | 25 | 23,9 | 20 | 19   | 15  | 1,35 | 55  | 6x45x3,5                                     |
| D1B  | BFN30  | 40  | 30 | 28,6 | 25 | 21   | 16  | 1,65 | 62  | 8x50x4                                       |
| D1B  | BFN 40 | 50  | 40 | 37,5 | 36 | 25   | 18  | 1,85 | 76  | 10x63x5                                      |
| D1F  | FFN10  | 14  | 8  | 7,6  | 8  | 10   | 7   | 0,9  | 15  | 2x10x1,2                                     |
| D1F  | FFN12  | 16  | 10 | 9,6  | 10 | 10,5 | 8   | 1,15 | 25  | 3x18x1,8                                     |
| D1F  | FFN15  | 20  | 15 | 14,3 | 12 | 13   | 9   | 1,15 | 35  | 4x27x2,5                                     |
| D1F  | FFN 20 | 25  | 20 | 19   | 16 | 18   | 14  | 1,35 | 45  | 5x36x3                                       |
| D1F  | FFN25  | 32  | 25 | 23,9 | 20 | 19   | 15  | 1,35 | 55  | 6x45x3,5                                     |
| D1F  | FFN30  | 40  | 30 | 28,6 | 25 | 21   | 16  | 1,65 | 62  | 8x50x4                                       |

\* Nominal ball screw diameter.

## D2



| Code | Unit   | d0* | d4 | d6   | L23  | L24 | L27  |
|------|--------|-----|----|------|------|-----|------|
| D2B  | BFN 08 | 12  | 6  | 5,7  | 8    | 6   | 0,9  |
| D2B  | BFN10  | 14  | 8  | 7,6  | 10   | 7   | 0,9  |
| D2B  | BFN12  | 16  | 10 | 9,6  | 10,5 | 8   | 1,15 |
| D2B  | BFN15  | 20  | 15 | 14,3 | 13   | 9   | 1,15 |
| D2B  | BFN 17 | 25  | 17 | 16,2 | 16   | 12  | 1,15 |
| D2B  | BFN 20 | 25  | 20 | 19   | 16   | 12  | 1,35 |
| D2B  | BFN25  | 32  | 25 | 23,9 | 19   | 15  | 1,35 |
| D2B  | BFN30  | 40  | 30 | 28,6 | 21   | 16  | 1,65 |
| D2B  | BFN 40 | 50  | 40 | 37,5 | 25   | 18  | 1,85 |
| D2F  | FFN10  | 14  | 8  | 7,6  | 10   | 7   | 0,9  |
| D2F  | FFN12  | 16  | 10 | 9,6  | 10,5 | 8   | 1,15 |
| D2F  | FFN15  | 20  | 15 | 14,3 | 13   | 9   | 1,15 |
| D2F  | FFN 20 | 25  | 20 | 19   | 18   | 14  | 1,35 |
| D2F  | FFN25  | 32  | 25 | 23,9 | 19   | 15  | 1,35 |
| D2F  | FFN30  | 40  | 30 | 28,6 | 21   | 16  | 1,65 |

\* Nominal ball screw diameter.